

embraco
Nidec

New
Silent Units Range

BIOMA



Multi-Refrigerant Platform

- R404A
- R452A
- R449A
- R134a
- R513A



01

PRODUCT FEATURES

02

PRODUCT INFORMATIONS

03

GENERAL DATA
& PERFORMANCE

04

DIGITAL TOOLS



HIGH CAPACITY RANGE: FROM 0,5 kW TO 10 kW

0.5 kW **LBP R404A - R449A - R452A** 4 kW

0.7 kW **MBP R134a - R513A** 6 kW

0.7 kW **MBP R404A - R449A - R452A** 10 kW

Test conditions: EN13215 MBP-LBP

BIOMA RANGE MAIN FEATURES



PERFORMANCE AND OPTIMIZED SOUND LEVEL

- Robust design to absorb vibrations and noise
- Sound level as low as 28 dB (A)
- Acoustic jacket on scroll compressors
- Fan speed controller as standard
- 5 faces insulated with acoustic foam



ACCESSIBILITY

- 3 door access on hinges - ¼ turn door lock to open
- Direct access to any component to be set or changed
- Direct access to fan and condenser



INNOVATIVE DESIGN

- Hidden fan - stylish design for a new experience
- Unique airflow management
- Mini channel condenser: 40% less refrigerant charge



COMPACTNESS




- Optimized dimensions to reduce surface area (<math><0.6\text{m}^2</math>)
- Single fan design for all housing sizes
- Stackable: unique offer to stack units from different dimensions



FLEXIBILITY

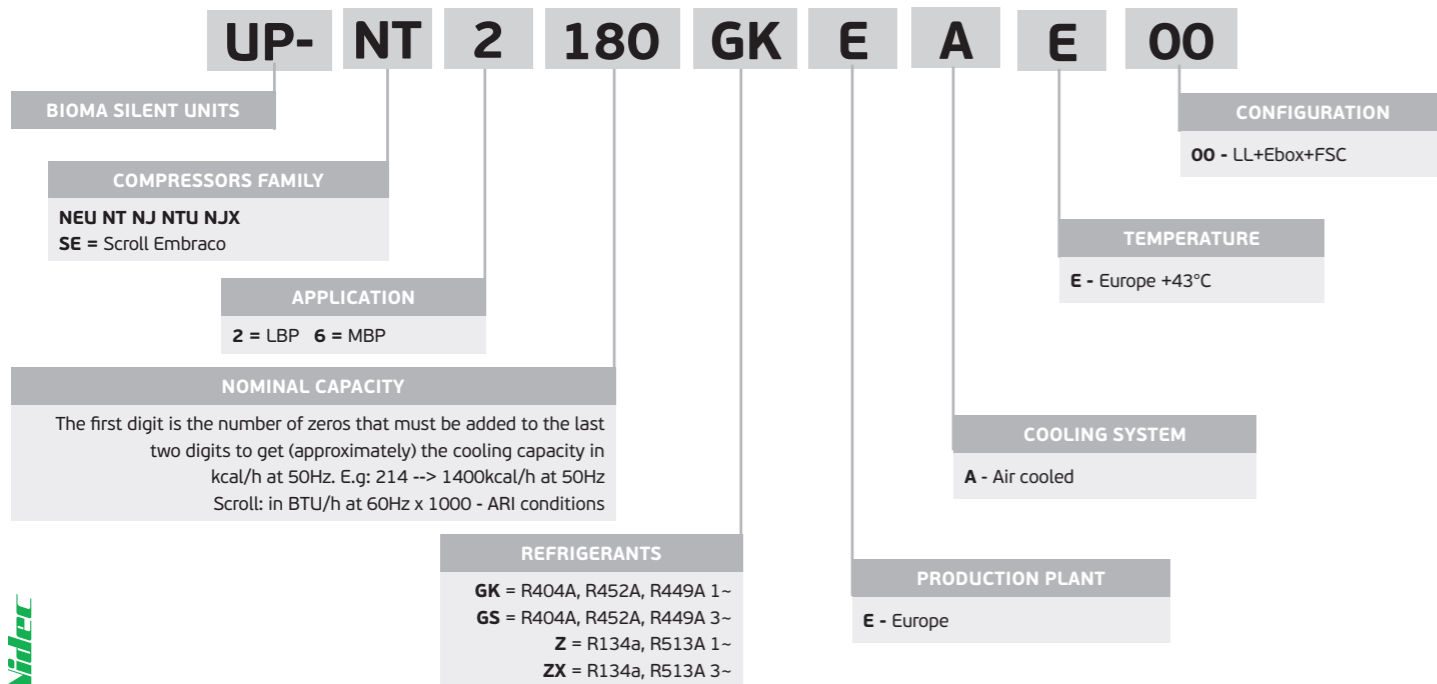
- Multi refrigerant platform: R404A, R449A, R452A, R134a, R513A
- Fully equipped electrical box
- Condenser treatment against corrosive environment
- Available with the complete range of Embraco compressors: reciprocating and Scroll

THREE SIZES: A COMPLETE RANGE

HOUSING	DIMENSIONS (mm)	
1	982 x 484 x 600	
2	1082 x 490 x 708	
3	1277 x 538 x 1005	

NOMENCLATURE

MODEL DESCRIPTION



REFRIGERANTS MAP AND EQUIPMENT LEVEL

APPLICATION	SUPPLY	HOUSING	MODEL	R404A	R452A	R449A	R134A	R513A	EEO					
									Low noise fan	Fan speed control	Liquid line	Fully equipped electrical box	Acoustic foam in compressor compart	Acoustic jacket
MBP	1~	1	UP-NEU6212GK	●	●	●			✓	✓	✓	✓	✓	
			UP-NEU6215GK	●	●	●			✓	✓	✓	✓	✓	
			UP-NEU6220GK	●	●	●			✓	✓	✓	✓	✓	
			UP-NT6224GK	●	●	●			✓	✓	✓	✓	✓	
			UP-NT6226GK	●	●	●			✓	✓	✓	✓	✓	
			UP-NJ9232GK	●	●	●			✓	✓	✓	✓	✓	
	2	2	UP-NTU6238GKV	●	●	●			✓	✓	✓	✓	✓	
			UP-SE6015GK	●	●	●	●	●	✓	✓	✓	✓	✓	✓
			UP-SE6018GK	●	●	●	●	●	✓	✓	✓	✓	✓	✓
			UP-SE6021GK	●	●	●	●	●	✓	✓	✓	✓	✓	✓
			UP-NJ9232GS	●	●	●			✓	✓	✓	✓	✓	
			UP-NJ9238GS	●	●	●			✓	✓	✓	✓	✓	
	3~	2	UP-NJX6250GS	●	●	●			✓	✓	✓	✓	✓	
			UP-SE6015GS	●	●	●	●	●	✓	✓	✓	✓	✓	✓
			UP-SE6018GS	●	●	●	●	●	✓	✓	✓	✓	✓	✓
		3	UP-SE6021GS	●	●	●	●	●	✓	✓	✓	✓	✓	✓
			UP-SE6026GS	●	●	●	●	●	✓	✓	✓	✓	✓	✓
			UP-SE6030GS	●	●	●	●	●	✓	✓	✓	✓	✓	✓
	1~	1	UP-SE6036GS	●	●	●	●	●	✓	✓	✓	✓	✓	✓
			UP-SE6043GS	●	●	●	●	●	✓	✓	✓	✓	✓	✓
UP-NEU6214Z						●	●	✓	✓	✓	✓	✓	✓	
UP-NJ6220Z						●	●	✓	✓	✓	✓	✓	✓	
3~	1	UP-NJ6226Z				●	●	✓	✓	✓	✓	✓	✓	
		UP-NJ6226ZX				●	●	✓	✓	✓	✓	✓	✓	
								✓	✓	✓	✓	✓	✓	
								✓	✓	✓	✓	✓	✓	
LBP	1~	1	UP-NT2180GK	○	○				✓	✓	✓	✓	✓	
			UP-NT2192GK	○	○				✓	✓	✓	✓	✓	
		2	UP-NT2212GK	○	○				✓	✓	✓	✓	✓	
			UP-SE2006GK	○	○	○			✓	✓	✓	✓	✓	✓
	3~	2	UP-SE2008GK	○	○	○			✓	✓	✓	✓	✓	✓
			UP-SE2010GK	○	○	○			✓	✓	✓	✓	✓	✓
		3	UP-NJX2219GS	○	○				✓	✓	✓	✓	✓	
			UP-SE2006GS	○	○	○			✓	✓	✓	✓	✓	✓
			UP-SE2008GS	○	○	○			✓	✓	✓	✓	✓	✓
			UP-SE2010GS	○	○	○			✓	✓	✓	✓	✓	✓
UP-SE2012GS-0	○	○	○			✓	✓	✓	✓	✓	✓			
UP-SE2014GS-0	○	○	○			✓	✓	✓	✓	✓	✓			
UP-SE2017GS-0	○	○	○			✓	✓	✓	✓	✓	✓			
UP-SE2020GS-0	○	○	○			✓	✓	✓	✓	✓	✓			

R452A - MBP - RTG20

CONDENSING UNITS				COMPRESSORS		AMBIENT TEMP.	EN13215 - SUBCOOLING OK - MID POINT							INPUT POWER (W)					ECO DESIGN		DIMENSIONS (mm)			WEIGHT		ACOUSTICS dB(A)		CONDENSER / FAN					LIQUID RECEIVER		CONNECTION DIAMETERS						
CONDENSING UNIT MODEL	CONDENSING UNIT BOM	VOLTAGE (V)	I NOM. (A)	COMPRESSOR MODEL	COMPRESSOR BOM		°C	COOLING CAPACITY (W)							-25°C	-20°C	-15°C	-10°C	-5°C	0°C	+5°C	+10°C	Type	COP/Seer	W (Width)	D (Depth)	H (Height)	Net (kg)	Gross (kg)	Sound pression @10m	Sound power level	Number of fan	Fan diameter (mm)	Swept volume (m³/h)	Fan Power (W)	Voltage (V)	Internal volume (dm³)	dm³	Suction (mm)	Liquid (mm)	Suction (")
						[Detailed product data for R452A - MBP - RTG20, including performance metrics for various condensing unit models (e.g., NEU6212GK, NEU6215GK, NT6222GK, etc.) and compressor models (e.g., NEU6212GK-A-CSIR, NT6222GK-A-CSR, etc.) across a range of ambient temperatures from -25°C to +10°C.]																																			

Note: Subject to alteration without previous notice

R452A - MBP - SH10K

Table with columns: CONDENSING UNITS, COMPRESSORS, AMBIENT TEMP., EN13215 - SUBCOOLING OK - MID POINT, INPUT, POWER (W), ECO DESIGN, DIMENSIONS (mm), WEIGHT, ACOUSTICS dB(A), CONDENSER / FAN, LIQUID RECEIVER, CONNECTION DIAMETERS. Rows include model numbers, technical specifications, and performance data across various temperature ranges.

Note: Subject to alteration without previous notice

R449A - LBP - RTG20

CONDENSING UNITS				COMPRESSORS		AMBIENT TEMP. (°C)	EN13215 - SUBCOOLING OK - MID POINT								ECO DESIGN		DIMENSIONS (mm)			WEIGHT		ACOUSTICS dB(A)		CONDENSER / FAN					LIQUID RECEIVER	CONNECTION DIAMETERS									
CONDENSING UNIT MODEL	CONDENSING UNIT BOM	VOLTAGE (V)	I NOM. (A)	COMPRESSOR MODEL	COMPRESSOR BOM		COOLING CAPACITY (W)								Type	COP/Seer	W (Width)	D (Depth)	H (Height)	Net (kg)	Gross (kg)	Sound pressure @10m	Sound power level	Number of fan	Fan diameter (mm)	Swept volume (m³/h)	Fan Power (W)	Voltage (V)	Internal volume (dm³)	dm³	Suction (mm)	Liquid (mm)	Suction (")	Liquid (")					
							-35°C	-30°C	-25°C	-20°C	-15°C	-10°C	-35°C	-30°C																					-25°C	-20°C	-15°C	-10°C	
UP-SE2006GK-EAE00	5S3ACS6C4FI	CP: 230V-1ph-50Hz Fan: 230V-1ph-50Hz	5,6	SE2006GK-C	303AC1204AA	25	1341	1689	2087	2543	3064	3656	1062	1131	1206	1286		1372	1463	COP	1,06	1082	490	708	91	109	33	64	1	400	2673	120	230/1/50	0,71	3,9	18	10	3/4	3/8
						32	1270	1575	1931	2343	2820	3366	1185	1259	1341	1431		1527	1629																				
						38	1195	1469	1790	2168	2609	3120	1323	1401	1488	1585		1690	1804																				
						43	1125	1373	1669	2020	2434	2917	1469	1550	1643	1745		1858	1981																				
UP-SE2006GS-EAE00	5S3AOS6C3FI	CP: 400V-3ph-50Hz Fan: 230V-1ph-50Hz	2,4	SE2006GS-O	303A01201AA	25	1341	1689	2087	2544	3065	3657	1054	1122	1196	1276		1361	1451	COP	1,06	1082	490	708	88	106	33	64	1	400	2673	120	230/1/50	0,71	3,9	18	10	3/4	3/8
						32	1270	1576	1931	2344	2820	3367	1176	1249	1331	1419		1514	1615																				
						38	1196	1469	1791	2169	2610	3121	1312	1389	1476	1572		1676	1788																				
						43	1125	1374	1670	2021	2435	2918	1457	1537	1629	1731		1842	1964																				
UP-SE2008GK-EAE00	5S3BCS6C4FI	CP: 230V-1ph-50Hz Fan: 230V-1ph-50Hz	7,2	SE2008GK-C	303BC1204AA	25	1698	2128	2618	3177	3812	4530	1352	1446	1550	1663		1785	1916	COP	1,04	1082	490	708	91	109	33	64	1	400	2673	120	230/1/50	0,71	3,9	18	10	3/4	3/8
						32	1603	1980	2417	2921	3501	4165	1519	1620	1734	1859		1996	2144																				
						38	1504	1841	2235	2696	3233	3853	1706	1814	1936	2072		2223	2388																				
						43	1411	1716	2077	2506	3008	3593	1907	2020	2150	2296		2459	2639																				
UP-SE2008GS-EAE00	5S3BOS6C3FI	CP: 400V-3ph-50Hz Fan: 230V-1ph-50Hz	2,7	SE2008GS-O	303B01201AA	25	1698	2129	2620	3179	3815	4534	1327	1419	1520	1631		1750	1878	COP	1,06	1082	490	708	88	106	33	64	1	400	2673	120	230/1/50	0,71	3,9	18	10	3/4	3/8
						32	1604	1981	2418	2923	3504	4169	1489	1589	1700	1822		1956	2101																				
						38	1506	1842	2237	2699	3237	3857	1672	1777	1897	2030		2177	2339																				
						43	1412	1717	2080	2509	3012	3598	1869	1979	2106	2248		2407	2584																				
UP-SE2010GK-EAE00	5S3CCS6C4FI	CP: 230V-1ph-50Hz Fan: 230V-1ph-50Hz	8,4	SE2010GK-C	303CC1204AA	25	1981	2473	3032	3667	4386	5196	1581	1697	1825	1966		2120	2288	COP	1,03	1082	490	708	91	109	33	64	1	400	2673	120	230/1/50	0,71	3,9	18	10	3/4	3/8
						32	1865	2296	2793	3365	4022	4770	1783	1908	2049	2206		2379	2570																				
						38	1746	2129	2577	3100	3707	4405	2013	2146	2299	2470		2662	2876																				
						43	1633	1979	2390	2874	3442	4100	2262	2402	2565	2749		2958	3193																				
UP-SE2010GS-EAE00	5S3COS6C3FI	CP: 400V-3ph-50Hz Fan: 230V-1ph-50Hz	4,3	SE2010GS-O	303CO1201AA	25	1982	2475	3035	3670	4390	5201	1546	1659	1784	1921		2071	2235	COP	1,06	1082	490	708	89	107	33	64	1	400	2673	120	230/1/50	0,71	3,9	18	10	3/4	3/8
						32	1867	2298	2796	3369	4027	4776	1743	1865	2002	2155		2323	2509																				
						38	1748	2132	2581	3105	3713	4412	1966	2096	2245	2412		2598	2806																				
						43	1635	1982	2394	2880	3448	4108	2208	2344	2503	2682		2886	3114																				
UP-SE2012GS-EAE00	5S3GOS6C3FI	CP: 400V-3ph-50Hz Fan: 230V-1ph-50Hz	5,4	SE2012GS-O	303GO1201AA	25	2609	3286	4063	4951	5966	7119	2004	2134	2276	2428		2590	2761	SEPR	1,64	1277	538	1005	117	139	36	67	1	500	5195	220	230/1/50	1,34	6	22	12	7/8	1/2
						32	2471	3067	3759	4563	5491	6556	2237	2377	2532	2701		2882	3075																				
						38	2327	2860	3487	4223	5083	6078	2496	2644	2810	2992		3191	3405																				
						43	2190	2674	3251	3935	4741	5683	2773	2926	3100	3294		3508	3740																				
UP-SE2014GS-EAE00	5S3DOS6C3FI	CP: 400V-3ph-50Hz Fan: 230V-1ph-50Hz	5,2	SE2014GS-O	303DO1201AA	25	3033	3811	4701	5717	6873	8183	2135	2278	2435	2605		2787	2981	SEPR	1,68	1277	538	1005	118	140	36	67	1	500	5195	220	230/1/50	1,34	6	22	12	7/8	1/2
						32	2869	3553	4347	5265	6323	7535	2388	2542	2713	2901		3105	3324																				
						38	2699	3311	4029	4870	5850	6983	2669	2832	3016	3220		3443	3686																				
						43	2538	3093	3753	4535	5455	6526	2970	3140	3334	3551		3791	4055																				
UP-SE2017GS-EAE00	5S3EOS6C3FI	CP: 400V-3ph-50Hz Fan: 230V-1ph-50Hz	6,3	SE2017GS-O	303EO1201AA	25	3577	4481	5509	6679	8006	9504	2449	2622	2812	3020		3245	3488	SEPR	1,73	1277	538	1005	118	140	36	67	1	500	5195	220	230/1/50	1,34	6	22	12	7/8	1/2
						32	3378	4171	5087	6144	7358	8744	2749	2935	3143	3373		3625	3899																				
						38	3172	3879	4707	5675	6799	8095	3085	3282	3506	3757		4034	4339																				
						43	2976	3618	4378	5277	6331	7556	3446	3652	3889	4157		4457	4790																				
UP-SE2020GS-EAE00	5S3FOS6C3FI	CP: 400V-3ph-50Hz Fan: 230V-1ph-50Hz	6,9	SE2020GS-O	303FO1201AA	25	4162	5194	6362	7687	9184	10869	2854	3064	3299	3557		3840	4150	SEPR	1,73	1277	538	1005	120	142	36	67	1	500	5195	220	230/1/50	1,34	6	22	12	7/8	1/2
						32	3921	4824	5864	7060	8429	9987	3215	3443	3701	3987		4305	4656																				
						38	3673	4476	5415	6509	7776	9232	3625	3868	4146	4460		4811	5204																				
						43	3437	4165	5026	6041	7228	8603	4067	4323	4619	4956		5338	5769																				

Note: Subject to alteration without previous notice

R449A - LBP - SH10K

CONDENSING UNITS				COMPRESSORS		AMBIENT TEMP. (°C)	EN13215 - SUBCOOLING 0K - MID POINT								INPUT POWER (W)		ECO DESIGN		DIMENSIONS (mm)			WEIGHT		ACOUSTICS dB(A)		CONDENSER / FAN					LIQUID RECEIVER	CONNECTION DIAMETERS							
CONDENSING UNIT MODEL	CONDENSING UNIT BOM	VOLTAGE (V)	I NOM. (A)	COMPRESSOR MODEL	COMPRESSOR BOM		COOLING CAPACITY (W)								-35°C	-30°C	-25°C	-20°C	Type	Cop/Seer	W (Width)	D (Depth)	H (Height)	Net (kg)	Gross (kg)	Sound pressure @10m	Sound power level	Number of fan	Fan diameter (mm)	Swept volume (m³/h)	Fan Power (W)	Voltage (V)	Internal volume (dm³)	dm³	Suction (mm)	Liquid (mm)	Suction (")	Liquid (")	
UP-SE2006GK-EAE00	5S3ACS6C4FI	CP: 230V-1ph-50Hz Fan: 230V-1ph-50Hz	5.6	SE2006GK-C	303AC1204AA	25	1286	1632	2030	2488	3013	3611	1068	1132	1203	1280		1363	1452	-	-	1082	490	708	91	109	33	64	1	400	2673	120	230/1/50	0,71	3,9	18	10	3/4	3/8
						32	1212	1512	1864	2274	2750	3300	1178	1249	1329	1417		1512	1615																				
						38	1121	1387	1703	2078	2518	3031	1315	1390	1476	1571		1675	1789																				
						43	1034	1275	1566	1913	2327	2813	1461	1538	1627	1728		1839	1960																				
UP-SE2006GS-EAE00	5S3AOS6C3FI	CP: 400V-3ph-50Hz Fan: 230V-1ph-50Hz	2.4	SE2006GS-O	303AO1201AA	25	1286	1632	2030	2488	3013	3612	1060	1124	1194	1270		1352	1441	-	-	1082	490	708	88	106	33	64	1	400	2673	120	230/1/50	0,71	3,9	18	10	3/4	3/8
						32	1213	1513	1864	2275	2751	3301	1168	1239	1318	1405		1500	1602																				
						38	1121	1387	1704	2078	2519	3032	1304	1379	1463	1558		1661	1774																				
						43	1035	1276	1566	1914	2328	2814	1449	1526	1614	1713		1823	1943																				
UP-SE2008GK-EAE00	5S3BCS6C4FI	CP: 400V-3ph-50Hz Fan: 230V-1ph-50Hz	7.2	SE2008GK-C	303BC1204AA	25	1630	2057	2546	3105	3743	4467	1355	1443	1541	1650		1769	1899	-	-	1082	490	708	91	109	33	64	1	400	2673	120	230/1/50	0,71	3,9	18	10	3/4	3/8
						32	1527	1896	2326	2826	3405	4070	1507	1605	1716	1839		1976	2125																				
						38	1405	1731	2118	2574	3110	3732	1694	1798	1917	2051		2200	2364																				
						43	1292	1587	1942	2367	2870	3461	1893	2000	2124	2265		2423	2599																				
UP-SE2008GS-EAE00	5S3BOS6C3FI	CP: 400V-3ph-50Hz Fan: 230V-1ph-50Hz	2.7	SE2008GS-O	303BO1201AA	25	1631	2058	2548	3107	3746	4470	1329	1415	1512	1618		1734	1861	-	-	1082	490	708	88	106	33	64	1	400	2673	120	230/1/50	0,71	3,9	18	10	3/4	3/8
						32	1528	1897	2328	2829	3408	4075	1478	1574	1682	1803		1936	2082																				
						38	1406	1733	2120	2577	3113	3737	1661	1762	1879	2009		2155	2315																				
						43	1293	1590	1945	2370	2874	3466	1855	1959	2081	2218		2373	2545																				
UP-SE2010GK-EAE00	5S3CCS6C4FI	CP: 230V-1ph-50Hz Fan: 230V-1ph-50Hz	8.4	SE2010GK-C	303CC1204AA	25	1903	2391	2946	3580	4300	5114	1580	1688	1810	1946		2098	2265	-	-	1082	490	708	91	109	33	64	1	400	2673	120	230/1/50	0,71	3,9	18	10	3/4	3/8
						32	1773	2193	2681	3248	3901	4650	1769	1889	2027	2181		2354	2545																				
						38	1625	1997	2435	2952	3557	4259	1998	2126	2274	2441		2629	2839																				
						43	1491	1827	2230	2711	3281	3949	2241	2373	2527	2704		2904	3129																				
UP-SE2010GS-EAE00	5S3COS6C3FI	CP: 400V-3ph-50Hz Fan: 230V-1ph-50Hz	4.3	SE2010GS-O	303CO1201AA	25	1904	2392	2949	3584	4305	5120	1545	1651	1770	1903		2050	2213	-	-	1082	490	708	89	107	33	64	1	400	2673	120	230/1/50	0,71	3,9	18	10	3/4	3/8
						32	1774	2196	2685	3252	3907	4657	1729	1846	1980	2131		2299	2485																				
						38	1627	1999	2439	2957	3563	4266	1951	2076	2220	2383		2566	2771																				
						43	1494	1830	2234	2716	3287	3957	2188	2316	2467	2639		2833	3052																				
UP-SE2012GS-EAE00	5S3GOS6C3FI	CP: 400V-3ph-50Hz Fan: 230V-1ph-50Hz	5.4	SE2012GS-O	303GO1201AA	25	2502	3176	3951	4843	5866	7032	2016	2138	2272	2417		2574	2742	-	-	1277	538	1005	117	139	36	67	1	500	5195	220	230/1/50	1,34	6	22	12	7/8	1/2
						32	2360	2944	3629	4428	5357	6428	2223	2358	2509	2675		2855	3050																				
						38	2182	2701	3317	4047	4905	5906	2481	2624	2785	2965		3163	3377																				
						43	2014	2484	3050	3728	4534	5482	2757	2904	3072	3261		3470	3700																				
UP-SE2014GS-EAE00	5S3DOS6C3FI	CP: 400V-3ph-50Hz Fan: 230V-1ph-50Hz	5.2	SE2014GS-O	303DO1201AA	25	2911	3684	4572	5591	6754	8077	2144	2277	2426	2589		2765	2957	-	-	1277	538	1005	118	140	36	67	1	500	5195	220	230/1/50	1,34	6	22	12	7/8	1/2
						32	2737	3408	4191	5103	6161	7377	2371	2520	2687	2872		3074	3295																				
						38	2528	3122	3827	4660	5638	6776	2652	2809	2988	3189		3410	3653																				
						43	2331	2870	3517	4292	5211	6291	2951	3113	3299	3510		3745	4004																				
UP-SE2017GS-EAE00	5S3EOS6C3FI	CP: 400V-3ph-50Hz Fan: 230V-1ph-50Hz	6.3	SE2017GS-O	303EO1201AA	25	3436	4332	5357	6527	7859	9368	2453	2614	2794	2994		3214	3456	-	-	1277	538	1005	118	140	36	67	1	500	5195	220	230/1/50	1,34	6	22	12	7/8	1/2
						32	3217	3993	4895	5943	7153	8543	2728	2907	3110	3337		3588	3864																				
						38	2962	3649	4461	5418	6538	7840	3063	3253	3471	3716		3990	4293																				
						43	2727	3349	4095	4986	6041	7279	3419	3615	3842	4100		4390	4714																				
UP-SE2020GS-EAE00	5S3FOS6C3FI	CP: 400V-3ph-50Hz Fan: 230V-1ph-50Hz	6.9	SE2020GS-O	303FO1201AA	25	3999	5020	6182	7504	9002	10694	2850	3047	3271	3521		3799	4108	-	-	1277	538	1005	120	142	36	67	1	500	5195	220	230/1/50	1,34	6	22	12	7/8	1/2
						32	3726	4607	5629	6812	8174	9734	3188	3408	3659	3942		4258	4610																				
						38	3419	4198	5117	6199	7462	8925	3597	3830	4099	4405		4750	5135																				
						43	3140	3846	4692	5699	6891	8287	4028	4269	4550	4872		5238	5650																				

Note: Subject to alteration without previous notice

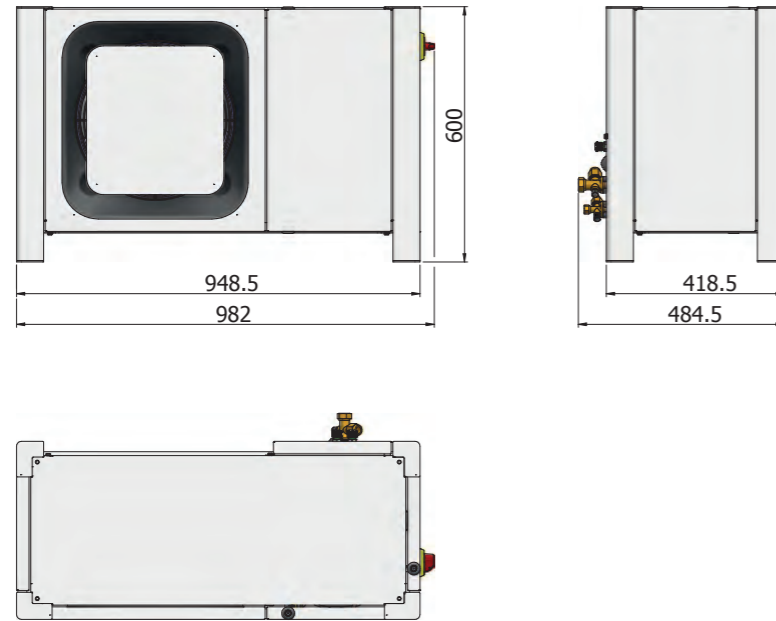
R404A - LBP - RTG20

CONDENSING UNITS				COMPRESSORS		AMBIENT TEMP. (°C)	EN13215 - SUBCOOLING 0K - MID POINT						INPUT POWER (W)				ECO DESIGN		DIMENSIONS (mm)			WEIGHT		ACOUSTICS dB(A)		CONDENSER / FAN					LIQUID RECEIVER dm³	CONNECTION DIAMETERS						
CONDENSING UNIT MODEL	CONDENSING UNIT BOM	VOLTAGE (V)	I NOM. (A)	COMPRESSOR MODEL	COMPRESSOR BOM		COOLING CAPACITY (W)										Type	Cop/Seer	W (Width)	D (Depth)	H (Height)	Net (kg)	Gross (kg)	Sound pressure @10m	Sound power level	Number of fan	Fan diameter (mm)	Swept volume (m³/h)	Fan Power (W)	Voltage (V)		Internal volume (dm³)	Suction (mm)	Liquid (mm)	Suction (")	Liquid (")		
UP-NT2180GK-EAE00	503HA56C4FI	CP: 230V-1ph-50Hz Fan: 230V-1ph-50Hz	2,4	NT2180GK-A-CSR	923HA0404AF	25	632	803	1009	1245	1504	1780	567	622	683	753	835	930	COP	0,97	982	484	600	65	83	29	60	1	350	1695	67	230/1/50	0,23	1,6	12	6	1/2	1/4
						32	554	712	898	1107	1334	1572	569	638	711	791	881	980																				
						38	488	634	801	987	1185	1392	575	653	734	820	914	1015																				
						43	-	568	720	885	1060	1240	-	666	752	842	937	1039																				

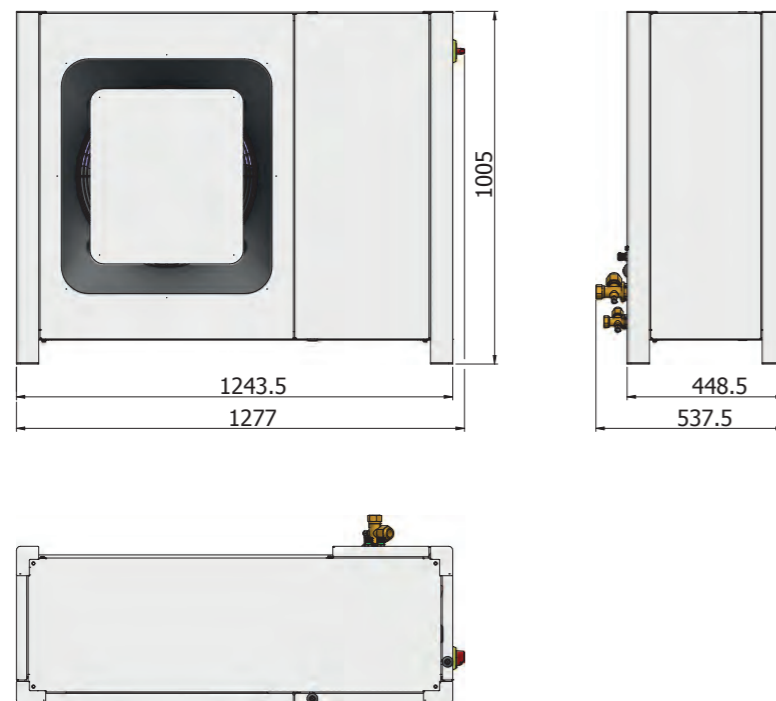
Note: Subject to alteration without previous notice

EXTERNAL VIEWS

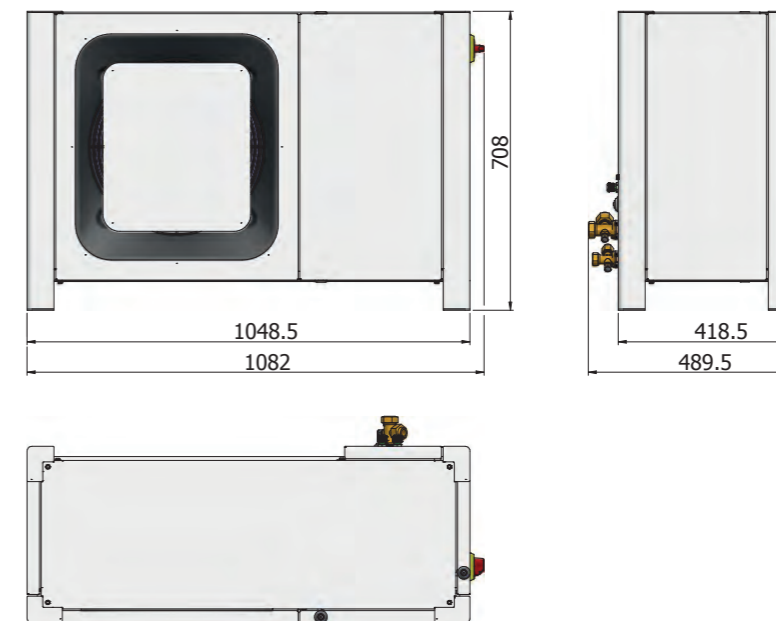
HOUSING 1 (mm)



HOUSING 3 (mm)



HOUSING 2 (mm)



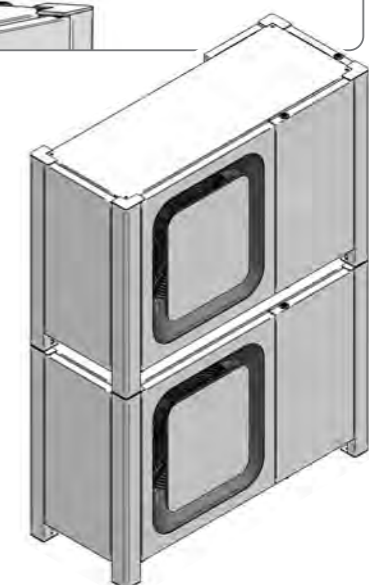
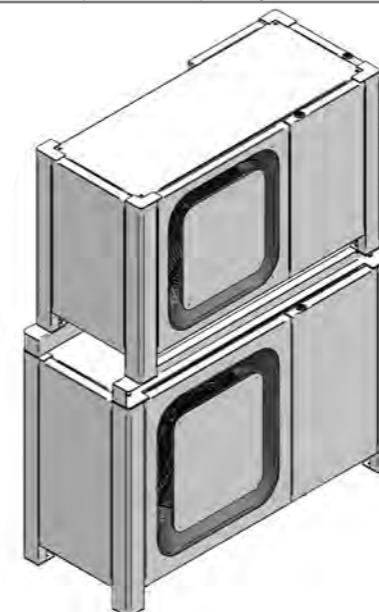
STACKABILITY OPTIONS

DIFFERENT HOUSING SIZES

Different housing sizes with complementary bracket

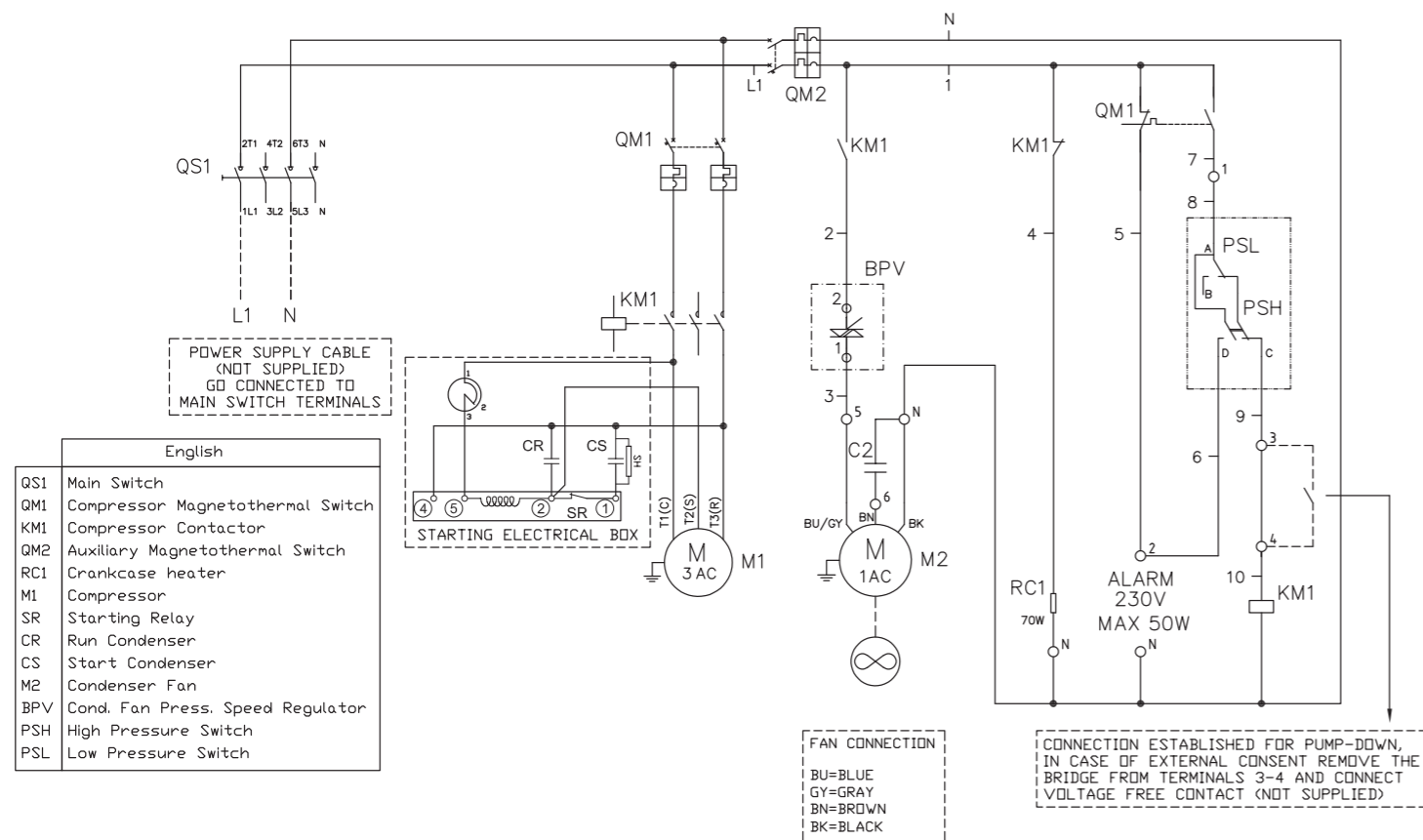
CONFIGURATIONS	ACCESSORY CODE
Housing 1 on Housing 2	1996761
Housing 1 on Housing 3	1996762
Housing 2 on Housing 3	

SAME HOUSING SIZE

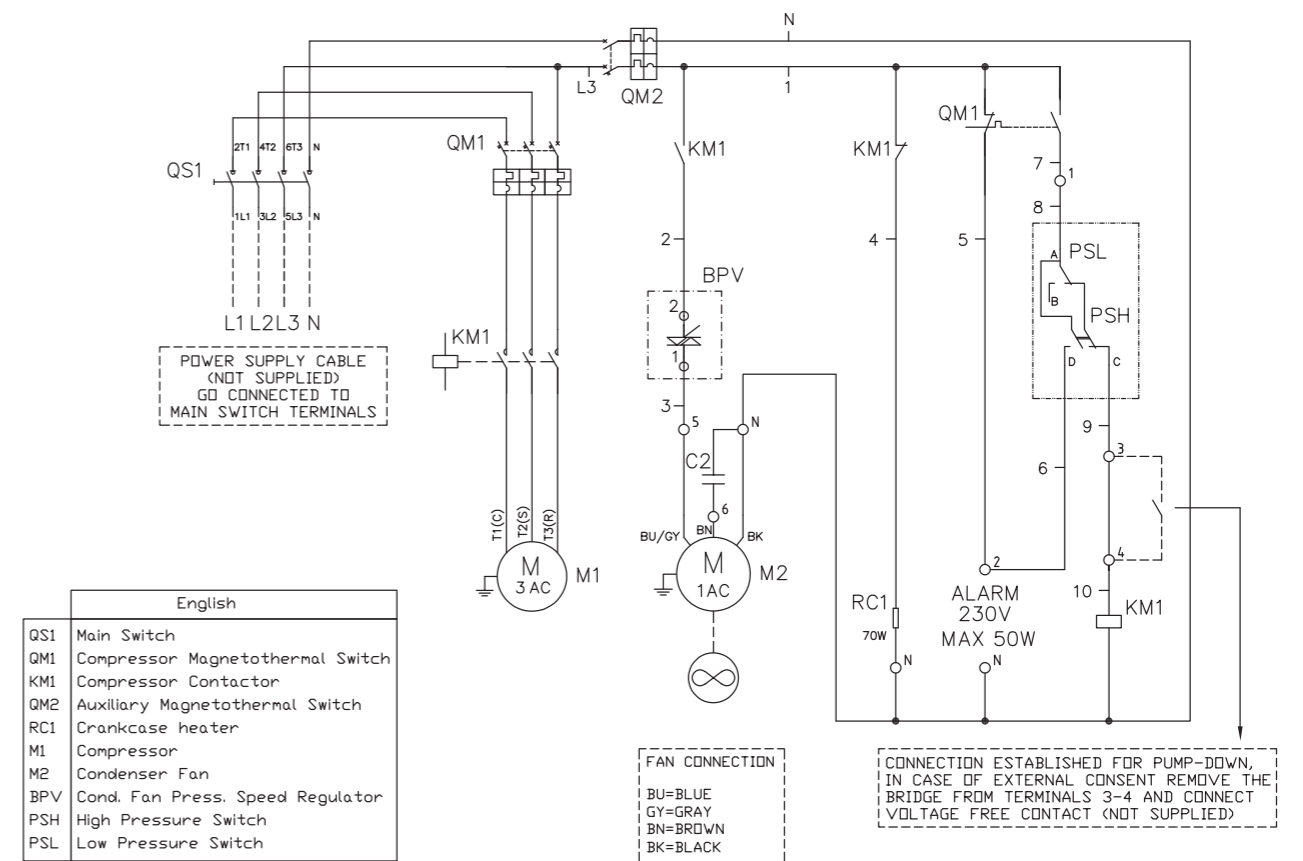


WIRING DIAGRAMS

Hermetic reciprocating compressors - 230v 1~ 50Hz

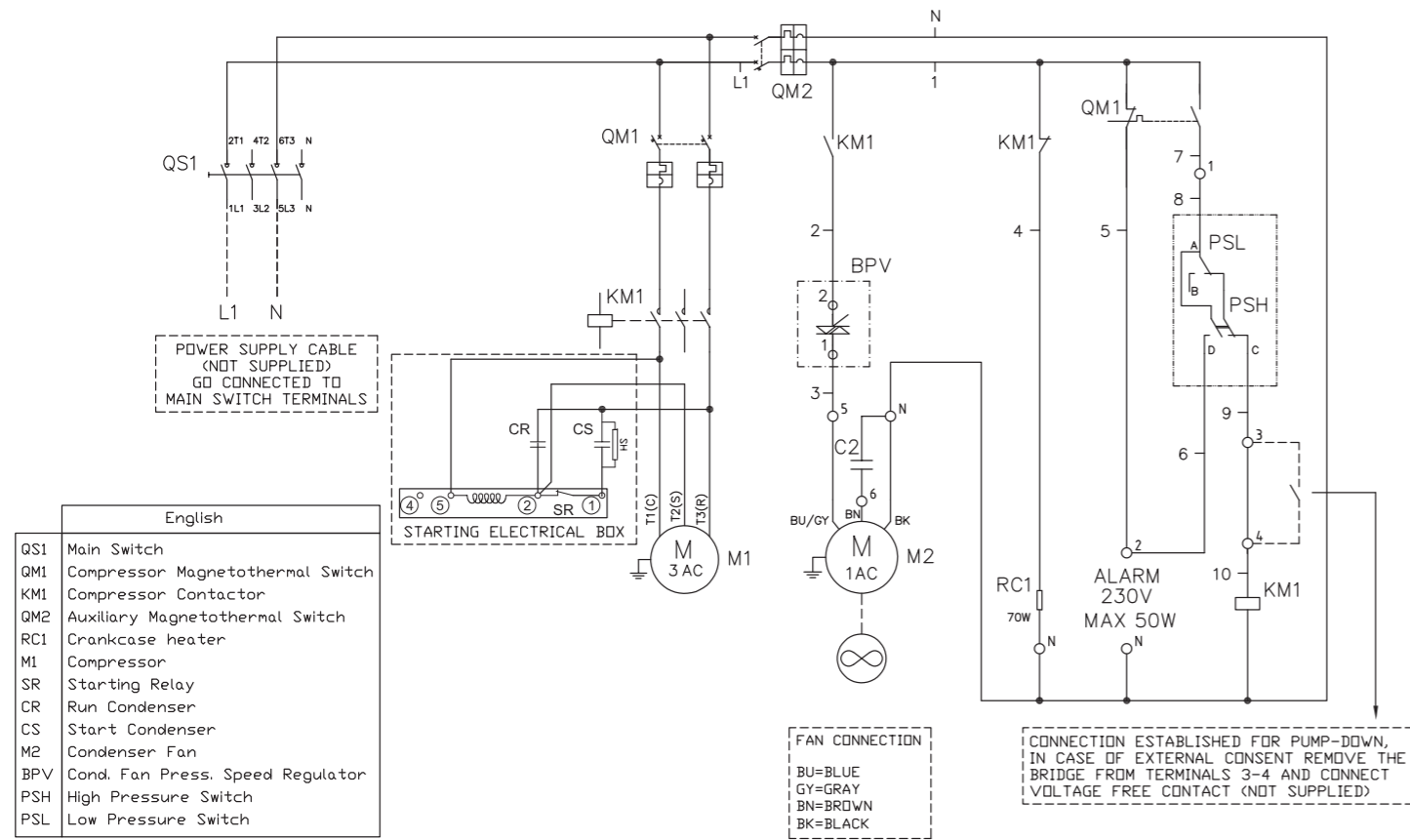


Hermetic reciprocating compressors - 400v 3~ 50Hz

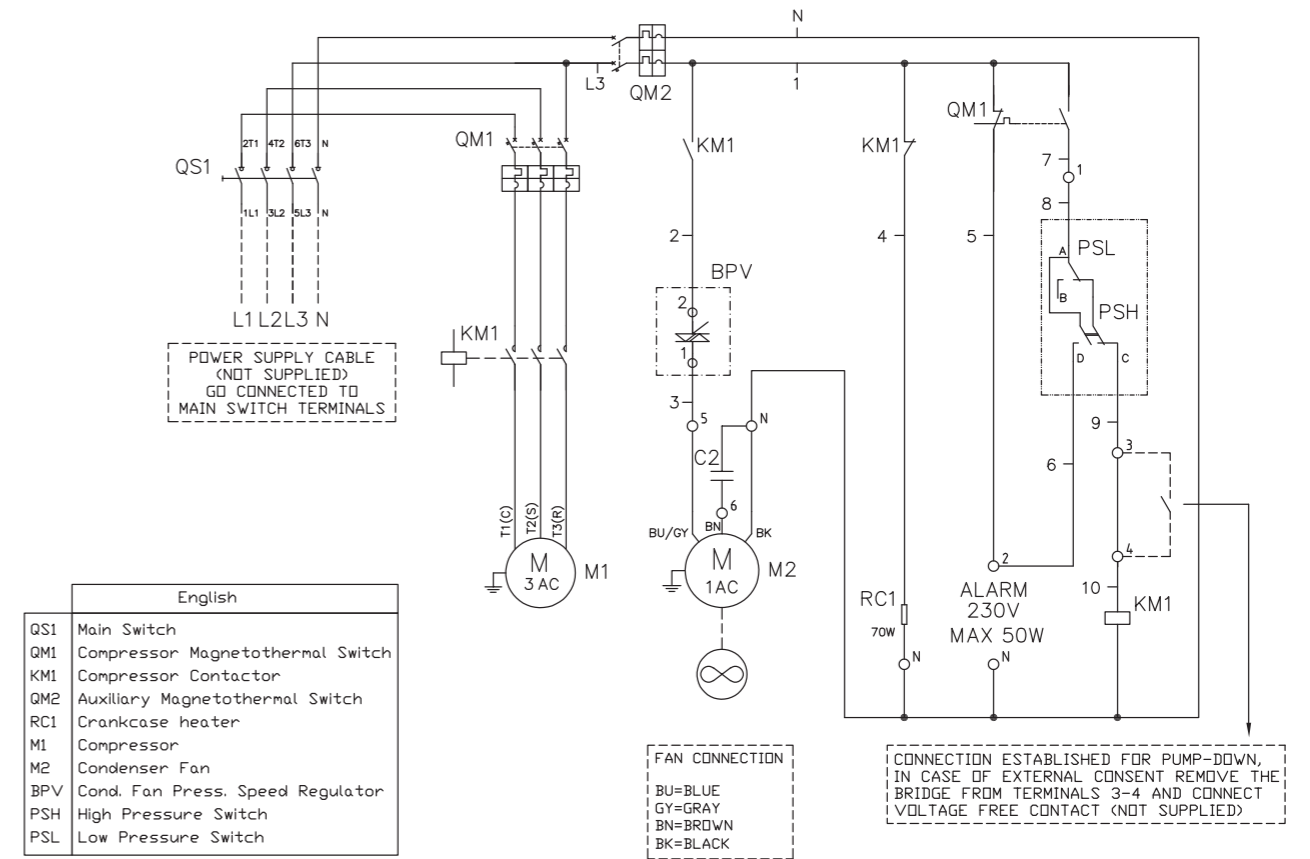


WIRING DIAGRAMS

Scroll compressors - 230v 1~ 50Hz



Scroll compressors - 400v 3~ 50Hz



EMBRACO DIGITAL TOOLS: discover everything our digital solutions can do for you.



embraco toolboxapp

EMBRACO TOOLBOX APP

Available in all countries and in more than 10 languages, the Embraco Toolbox App has 7 functionalities which help refrigeration professionals on their daily routine. Download the App now for Android or iOS systems.



Find inside:

- CROSS-REFERENCE
- PRODUCT CATALOGUE
- DISTRIBUTOR LOCATOR
- UNIT CONVERTER
- REFRIGERANT SLIDER
- REFRIGERATION CLUB
- TROUBLESHOOTING



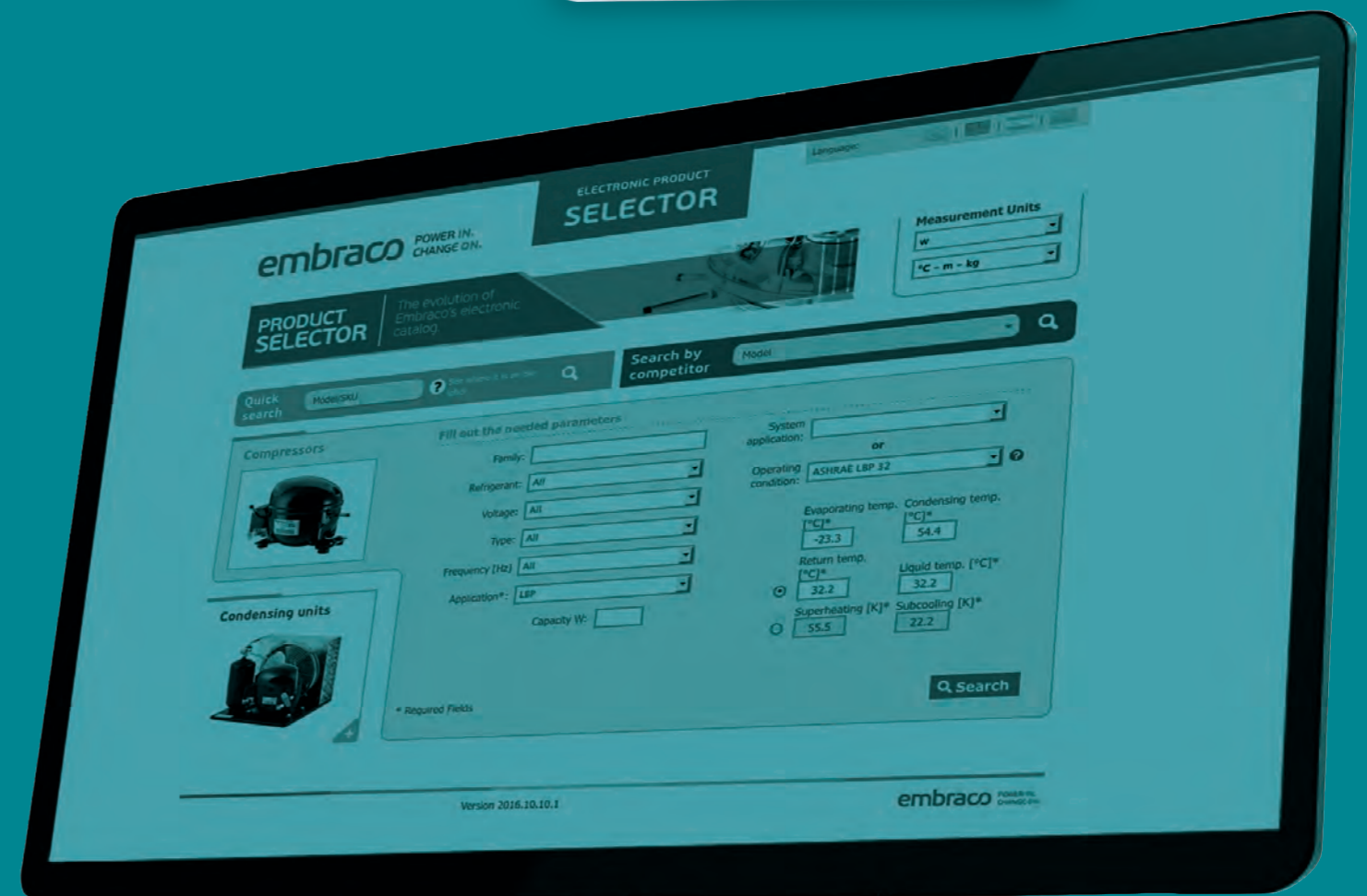
REFRIGERATION CLUB

Exclusive content for refrigeration professionals in a global channel. Keep updated and join us at: www.refrigerationclub.com



PRODUCT SELECTOR SOFTWARE

Choose the best solution for your cooling system at Embraco's official portfolio platform. Access: products.embraco.com



embraco
Nidec

www.embraco.com