

embraco
Nidec

New
Silent Units Range

BIOMA



Multi-Refrigerant Platform

- R404A
- R452A
- R449A
- R134a
- R513A



01

PRODUCT FEATURES

02

PRODUCT INFORMATIONS

03

GENERAL DATA
& PERFORMANCE

04

DIGITAL TOOLS



HIGH CAPACITY RANGE: FROM 0,5 kW TO 10 kW

0.5 kW **LBP R404A - R449A - R452A** 4 kW

0.7 kW **MBP R134a - R513A** 6 kW

0.7 kW **MBP R404A - R449A - R452A** 10 kW

Test conditions: EN13215 MBP-LBP

BIOMA RANGE MAIN FEATURES



PERFORMANCE AND OPTIMIZED SOUND LEVEL

- Robust design to absorb vibrations and noise
- Sound level as low as 28 dB (A)
- Acoustic jacket on scroll compressors
- Fan speed controller as standard
- 5 faces insulated with acoustic foam



ACCESSIBILITY

- 3 door access on hinges - ¼ turn door lock to open
- Direct access to any component to be set or changed
- Direct access to fan and condenser



INNOVATIVE DESIGN

- Hidden fan - stylish design for a new experience
- Unique airflow management
- Mini channel condenser: 40% less refrigerant charge



COMPACTNESS




- Optimized dimensions to reduce surface area (<math><0.6\text{m}^2</math>)
- Single fan design for all housing sizes
- Stackable: unique offer to stack units from different dimensions



FLEXIBILITY

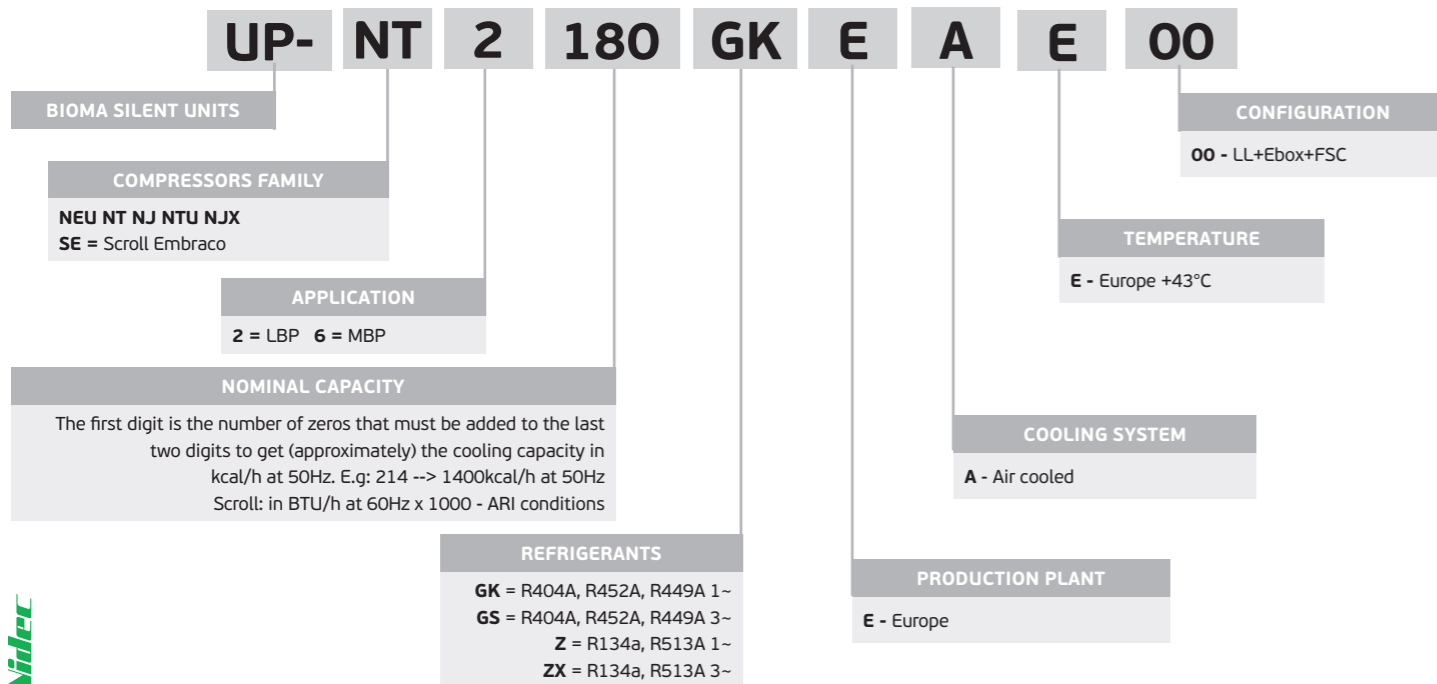
- Multi refrigerant platform: R404A, R449A, R452A, R134a, R513A
- Fully equipped electrical box
- Condenser treatment against corrosive environment
- Available with the complete range of Embraco compressors: reciprocating and Scroll

THREE SIZES: A COMPLETE RANGE

HOUSING	DIMENSIONS (mm)	
1	982 x 484 x 600	
2	1082 x 490 x 708	
3	1277 x 538 x 1005	

NOMENCLATURE

MODEL DESCRIPTION



REFRIGERANTS MAP AND EQUIPMENT LEVEL

APPLICATION	SUPPLY	HOUSING	MODEL	R404A	R452A	R449A	R134A	R513A	EEO					
									Low noise fan	Fan speed control	Liquid line	Fully equipped electrical box	Acoustic foam in compressor compart	Acoustic jacket
MBP	1~	1	UP-NEU6212GK	●	●	●			✓	✓	✓	✓	✓	
			UP-NEU6215GK	●	●	●			✓	✓	✓	✓	✓	
			UP-NEU6220GK	●	●	●			✓	✓	✓	✓	✓	
			UP-NT6224GK	●	●	●			✓	✓	✓	✓	✓	
			UP-NT6226GK	●	●	●			✓	✓	✓	✓	✓	
			UP-NJ9232GK	●	●	●			✓	✓	✓	✓	✓	
	2	2	UP-NTU6238GKV	●	●	●			✓	✓	✓	✓	✓	
			UP-SE6015GK	●	●	●	●	●	✓	✓	✓	✓	✓	✓
			UP-SE6018GK	●	●	●	●	●	✓	✓	✓	✓	✓	✓
			UP-SE6021GK	●	●	●	●	●	✓	✓	✓	✓	✓	✓
			UP-NJ9232GS	●	●	●			✓	✓	✓	✓	✓	
			UP-NJ9238GS	●	●	●			✓	✓	✓	✓	✓	
	3~	2	UP-NJX6250GS	●	●	●			✓	✓	✓	✓	✓	
			UP-SE6015GS	●	●	●	●	●	✓	✓	✓	✓	✓	✓
			UP-SE6018GS	●	●	●	●	●	✓	✓	✓	✓	✓	✓
		3	UP-SE6021GS	●	●	●	●	●	✓	✓	✓	✓	✓	✓
			UP-SE6026GS	●	●	●	●	●	✓	✓	✓	✓	✓	✓
			UP-SE6030GS	●	●	●	●	●	✓	✓	✓	✓	✓	✓
	1~	1	UP-SE6036GS	●	●	●	●	●	✓	✓	✓	✓	✓	✓
			UP-SE6043GS	●	●	●	●	●	✓	✓	✓	✓	✓	✓
UP-NEU6214Z						●	●	✓	✓	✓	✓	✓	✓	
UP-NJ6220Z						●	●	✓	✓	✓	✓	✓	✓	
UP-NJ6226Z						●	●	✓	✓	✓	✓	✓	✓	
UP-NJ6226ZX						●	●	✓	✓	✓	✓	✓	✓	
LBP	1~	1	UP-NT2180GK	○	○				✓	✓	✓	✓	✓	
			UP-NT2192GK	○	○				✓	✓	✓	✓	✓	
			UP-NT2212GK	○	○				✓	✓	✓	✓	✓	
			UP-SE2006GK	○	○	○			✓	✓	✓	✓	✓	✓
	3~	2	UP-SE2008GK	○	○	○			✓	✓	✓	✓	✓	✓
			UP-SE2010GK	○	○	○			✓	✓	✓	✓	✓	✓
		3	UP-NJX2219GS	○	○				✓	✓	✓	✓	✓	
			UP-SE2006GS	○	○	○			✓	✓	✓	✓	✓	✓
			UP-SE2008GS	○	○	○			✓	✓	✓	✓	✓	✓
			UP-SE2010GS	○	○	○			✓	✓	✓	✓	✓	✓
UP-SE2012GS-0	○	○	○			✓	✓	✓	✓	✓	✓			
UP-SE2014GS-0	○	○	○			✓	✓	✓	✓	✓	✓			
UP-SE2017GS-0	○	○	○			✓	✓	✓	✓	✓	✓			
UP-SE2020GS-0	○	○	○			✓	✓	✓	✓	✓	✓			

R452A - MBP - RTG20

CONDENSING UNITS				COMPRESSORS		AMBIENT TEMP. (°C)	EN13215 - SUBCOOLING OK - MID POINT								INPUT POWER (W)						ECO DESIGN		DIMENSIONS (mm)			WEIGHT		ACOUSTICS dB(A)		CONDENSER / FAN					LIQUID RECEIVER		CONNECTION DIAMETERS					
CONDENSING UNIT MODEL	CONDENSING UNIT BOM	VOLTAGE (V)	I NOM. (A)	COMPRESSOR MODEL	COMPRESSOR BOM		COOLING CAPACITY (W)														Type	COP/Seer	W (Width)	D (Depth)	H (Height)	Net (kg)	Gross (kg)	Sound pressure @10m	Sound power level	Number of fan	Fan diameter (mm)	Swept volume (m³/h)	Fan Power (W)	Voltage (V)	Internal volume (dm³)	dm³	Suction (mm)	Liquid (mm)	Suction (")	Liquid (")		
							-25°C	-20°C	-15°C	-10°C	-5°C	0°C	+5°C	+10°C	-25°C	-20°C	-15°C	-10°C	-5°C	0°C																					+5°C	+10°C
UP-NEU6212GK-EAE00	667HAS6C2FI	CP: 230V-1ph-50Hz Fan: 230V-1ph-50Hz	3,1	NEU6212GK-A-CSIR	958HA51M1AJ	25	-	660	807	979	1174	1388	1619	1863	-	417	452	484	514	544	572	601	COP	1,73	982	484	600	54	72	28	59	1	350	1695	67	230/1/50	0,23	1,6	10	6	3/8	1/4
						32	-	577	713	869	1045	1237	1442	1657	-	427	466	503	539	574	610	646																				
						38	-	506	631	774	933	1105	1288	1477	-	437	480	521	562	604	645	688																				
						43	-	-	564	696	841	996	1159	1327	-	-	493	538	584	629	676	724																				
UP-NEU6215GK-EAE00	669NAS6C4FI	CP: 230V-1ph-50Hz Fan: 230V-1ph-50Hz	2,8	NEU6215GK-A-CSR	959NA5190AF	25	-	887	1078	1296	1536	1794	2068	2352	-	504	559	613	669	726	787	853	COP	1,82	982	484	600	54	72	28	59	1	350	1695	67	230/1/50	0,23	1,6	10	6	3/8	1/4
						32	-	783	956	1152	1369	1602	1847	2101	-	522	578	636	697	762	832	909																				
						38	-	692	850	1029	1226	1437	1659	1887	-	535	595	658	725	797	877	965																				
						43	-	-	763	928	1109	1302	1504	1712	-	-	609	677	750	830	919	1017																				
UP-NT6222GK-EAE00	602CA56C4FI	CP: 230V-1ph-50Hz Fan: 230V-1ph-50Hz	4,3	NT6222GK-A-CSR	922CA0404AF	25	-	1056	1301	1573	1868	2184	2518	2865	-	742	787	845	914	991	1074	1158	COP	1,6	982	484	600	60	78	29	60	1	350	1695	67	230/1/50	0,23	1,6	12	8	1/2	3/8
						32	-	922	1139	1378	1637	1915	2208	2516	-	756	811	860	950	1029	1111	1193																				
						38	-	-	1000	1211	1440	1685	1945	2218	-	-	836	905	980	1058	1138	1215																				
						43	-	-	-	1076	1279	1497	1729	1974	-	-	-	928	1003	1079	1155	1227																				
UP-NT6224GK-EAE00	622RA56C4FI	CP: 230V-1ph-50Hz Fan: 230V-1ph-50Hz	4,5	NT6224GK-A-CSR	922RA0404AF	25	-	1278	1609	1976	2375	2799	3245	3707	-	801	868	937	1010	1086	1167	1252	COP	1,79	982	484	600	62	80	29	60	1	350	1523	67	230/1/50	0,45	2,3	12	8	1/2	3/8
						32	-	1136	1420	1740	2090	2468	2867	3285	-	821	896	973	1055	1140	1230	1324																				
						38	-	1005	1254	1538	1853	2195	2560	2943	-	843	923	1007	1095	1187	1283	1383																				
						43	-	-	1120	1378	1667	1982	2320	2677	-	-	948	1037	1129	1225	1325	1430																				
UP-NT6226GK-EAE00	603BA56C4FI	CP: 230V-1ph-50Hz Fan: 230V-1ph-50Hz	4,8	NT6226GK-A-CSR	923BA0204AF	25	-	1420	1761	2146	2569	3024	3503	4000	-	823	901	983	1070	1162	1261	1369	COP	1,84	982	484	600	63	81	29	60	1	350	1523	67	230/1/50	0,45	2,3	12	8	1/2	3/8
						32	-	1243	1545	1889	2267	2674	3103	3548	-	854	939	1028	1121	1220	1326	1441																				
						38	-	1097	1367	1676	2016	2383	2771	3173	-	882	973	1067	1166	1271	1383	1504																				
						43	-	-	1232	1512	1821	2155	2508	2874	-	-	1000	1099	1203	1314	1431	1557																				
UP-NJ9232GK-EAE00	643NAS6C4FI	CP: 230V-1ph-50Hz Fan: 230V-1ph-50Hz	5,7	NJ9232GK-A-CSR	943NA1104AF	25	-	1476	1889	2342	2828	3339	3867	4407	-	1015	1113	1214	1320	1432	1555	1690	COP	1,64	982	484	600	69	87	30	61	1	350	1523	67	230/1/50	0,45	2,3	16	8	5/8	3/8
						32	-	1245	1614	2021	2459	2920	3399	3888	-	1007	1115	1227	1344	1470	1606	1755																				
						38	-	1052	1380	1745	2141	2560	2995	3439	-	1002	1117	1236	1362	1498	1644	1804																				
						43	-	-	-	1521	1880	2262	2659	3066	-	-	-	1242	1374	1516	1670	1838																				
UP-NJ9232GS-EAE00	647NMS6C3FI	CP: 400V-3ph-50Hz Fan: 230V-1ph-50Hz	2,1	NJ9232GS-M	947NM1101AA	25	-	1553	1956	2426	2951	3517	4112	4721	-	920	1025	1129	1236	1352	1479	1624	COP	1,85	982	484	600	69	87	30	61	1	350	1523	67	230/1/50	0,45	2,3	16	8	5/8	8
						32	-	1352	1715	2137	2606	3111	3639	4178	-	914	1031	1150	1275	1409	1558	1724																				
						38	-	1180	1507	1888	2310	2763	3234	3713	-	914	1040	1170	1308	1458	1622	1806																				
						43	-	-	-	1685	2067	2476	2901	3330	-	-	-	1188	1336	1496	1673	1870																				
UP-NTU6238GK-EAE00	605EAS6C4FI	CP: 230V-1ph-50Hz Fan: 230V-1ph-50Hz	5,6	NTU6238GK-A-CSR	925EA6004AF	25	-	1819	2198	2656	3168	3708	4255	4788	-	961	1042	1124	1210	1301	1400	1508	COP	1,97	982	484	600	66	84	30	61	1	350	1523	67	230/1/50	0,45	2,3	16	8	5/8	3/8
						32	-	1612	1946	2349	2799	3272	3746	4203	-	1008	1099	1192	1289	1393	1505	1626																				
						38	-	-	1729	2085	2482	2897	3310	3703	-	-	1144	1246	1354	1468	1591	1724																				
						43	-	-	-	1871	2223	2590	2951	3290	-	-	-	1288	1404	1527	1659	1801																				
UP-NJ9238GS-EAE00	647RMS6C3FI	CP: 400V-3ph-50Hz Fan: 230V-1ph-50Hz	2,9	NJ9238GS-M	947RM1101AA	25	-	1946	2429	2949	3499	4074	4668	5274	-	1108	1230	1354	1483	1624	1780	1957	COP	1,87	982	484	600	69	87	30	61	1	350	1523	67	230/1/50	0,45	2,3	16	8	5/8	3/8
						32	-	1687	2112	2574	3068	3586	4124	4674	-	1102	1238	1377	1525	1685	1862	2062																				
						38	-	-	1844	2256	2700	3170	3660	4163	-	-	1248	1399	1560	1735	1929	2148																				
						43	-	-	-	1998	2401	2831	3281	-	-	-	-	1417	1588	1775	1982	-																				
UP-NJX6250GS-EAE00	645BSS6C3FI	CP: 400V-3ph-50Hz Fan: 230V-1ph-50Hz	3,4	NJX6250GS-M	945BS2101AA	25	-	2621	3178	3821	4533	5299	6103	6930	-	1413	1564	1722	1891	2071	2264	2470	COP	1,88	1082	490	708	77	95	34	65	1	400	2673	120	230/1/50	0,71	3,9	16	10	5/8	3/8
						32	-	2336	2833	3404	4035	4712	5420	6146	-	1483	1646	1817	1998	2191	2396	2615																				
						38	-	2080	2530	3043	3608	4211	4839	5480	-	1525	1705	1892	2088	2296	2516	2750																				
						43	-	-	-	2744	3255	3798	4360	4931	-	-	-	1953	2165	2389	2625	2874																				
UP-SE6015GK-EAE00	651ACS6C4FI	CP: 230V-1ph-50Hz Fan: 230V-1ph-50Hz	8,5	SE6015GK-C	301AC1104AA	25	2330	2848	3445	4125	4887	5730	6649	7642	1469	1580	1702	1833	1972	2116	2264	2414	COP	1,86	1082	490	708	91	109	33	64	1	400	2673	120	230/1/50	0,71	3,9	18	12	5/8	1/2
						32	2095	2578	3128	3746	4436	5195	6023	6917	1620	1742	1876	2020	2172	2329	2490	2653																				
						38	1874	2329	2838	3406	4034	4723	5473	6283	1768	1899	2043	2197	2359	2527	2699	2872																				
						43	-	-	2581	3107	3685	4317	5003	5743	-	-	2198	2360	2530	2707	2887	3069																				
UP-SE6015GS-EAE00	651AOS6C3FI	CP: 400V-3ph-50Hz Fan: 230V-1ph-50Hz	3,2	SE6015GS-O	301A01101AA	25	2331	2849	3448	4128	4891	5735	6656	7649	1445	1554	1673	1802	1938	2080	2225	2372	COP	1,89	1082	490	708	88	106	33	64	1	400	2673	120	230/1/50	0,71	3,9	18	12	3/4	1/2
						32	2097	2580	3130	3750	4440	5201	6030	6925	1593	1713	1845	1986	2134	2288	2446	2602																				
						38	1876	2332	2842	3410	4039	4729	5481	6293	1738	1867	2008	2159	2318	2483	2651	2822																				
						43	-	-	2585	3112	3691	4324	5012	5754	-	-	2160	2319	2486	2659	2836	3014																				
UP-SE6018GK-EAE00	651BCS6C4FI	CP: 230V-1ph-50Hz Fan: 230V-1ph-50Hz																																								

R449A - MBP - RTG20

CONDENSING UNITS				COMPRESSORS		AMBIENT TEMP.	EN13215 - SUBCOOLING OK - MID POINT								INPUT POWER (W)					ECO DESIGN		DIMENSIONS (mm)			WEIGHT		ACOUSTICS dB(A)		CONDENSER / FAN					LIQUID RECEIVER		CONNECTION DIAMETERS							
CONDENSING UNIT MODEL	CONDENSING UNIT BOM	VOLTAGE (V)	I NOM. (A)	COMPRESSOR MODEL	COMPRESSOR BOM		COOLING CAPACITY (W)								-25°C	-20°C	-15°C	-10°C	-5°C	0°C	+5°C	+10°C	Type	COP/Seer	W (Width)	D (Depth)	H (Height)	Net (kg)	Gross (kg)	Sound pressure @10m	Sound power level	Number of fan	Fan diameter (mm)	Swept volume (m³/h)	Fan Power (W)	Voltage (V)	Internal volume (dm³)	dm³	Suction (mm)	Liquid (mm)	Suction (")	Liquid (")	
						UP-NEU6212GK-EAE00	667HA56C2FI	CP: 230V-1ph-50Hz Fan: 230V-1ph-50Hz	3,1	NEU6212GK-A-CSIR	958HA51M1AJ	25	-	-																													732
32	-	-	656	819	1006							1217	1449	1700	-	-	418	453	488	525	565	610																					
38	-	-	601	754	927							1119	1328	1553	-	-	432	478	521	565	609	655																					
43	-	-	694	851	1024							1211	1412	-	-	-	504	549	592	635	678																						
UP-NEU6215GK-EAE00	669NA56C4FI	CP: 230V-1ph-50Hz Fan: 230V-1ph-50Hz	2,8	NEU6215GK-A-CSR	959NA5190AF	25	-	-	991	1210	1461	1744	2056	2391	-	-	515	562	611	664	721	784	COP	1,84	982	484	600	54	72	28	59	1	350	1695	67	230/1/50	0,23	1,6	10	6	3/8	1/4	
						32	-	-	895	1104	1341	1603	1886	2188	-	-	535	587	643	703	770	845																					
						38	-	-	824	1016	1231	1466	1719	1985	-	-	555	612	675	742	818	902																					
						43	-	-	-	-	1126	1334	1556	1789	-	-	-	-	702	777	860	953																					
UP-NT6222GK-EAE00	602CA56C4FI	CP: 230V-1ph-50Hz Fan: 230V-1ph-50Hz	4,3	NT6222GK-A-CSR	922CA0404AF	25	-	-	1205	1485	1798	2138	2502	2885	-	-	-	-	851	923	1000	1080	COP	1,63	982	484	600	60	78	29	60	1	350	1695	67	230/1/50	0,23	1,6	12	8	1/2	3/8	
						32	-	-	1090	1342	1619	1919	2239	2574	-	-	762	823	893	968	1045	1123																					
						38	-	-	-	1208	1452	1716	1996	2290	-	-	-	854	927	1003	1080	1156																					
						43	-	-	-	1300	1533	1780	2040	-	-	-	-	954	1031	1107	1181																						
UP-NT6224GK-EAE00	622RA56C4FI	CP: 230V-1ph-50Hz Fan: 230V-1ph-50Hz	4,5	NT6224GK-A-CSR	922RA0404AF	25	-	-	1470	1834	2238	2677	3147	3645	-	-	803	865	930	999	1071	1147	COP	1,79	982	484	600	62	80	29	60	1	350	1523	67	230/1/50	0,45	2,3	12	8	1/2	3/8	
						32	-	-	1335	1660	2023	2420	2846	3300	-	-	837	907	981	1058	1139	1224																					
						38	-	-	1217	1511	1840	2201	2591	3007	-	-	866	944	1024	1109	1197	1290																					
						43	-	-	-	-	1680	2013	2374	2759	-	-	-	-	1061	1152	1248	1347																					
UP-NT6226GK-EAE00	603BA56C4FI	CP: 230V-1ph-50Hz Fan: 230V-1ph-50Hz	4,8	NT6226GK-A-CSR	923BA0204AF	25	-	-	1617	2012	2461	2955	3488	4048	-	-	829	901	978	1061	1152	1251	COP	1,88	982	484	600	63	81	29	60	1	350	1523	67	230/1/50	0,45	2,3	12	8	1/2	3/8	
						32	-	-	1473	1832	2237	2680	3154	3650	-	-	872	951	1036	1128	1226	1333																					
						38	-	-	1350	1675	2038	2433	2853	3292	-	-	906	993	1086	1184	1290	1403																					
						43	-	-	-	-	1859	2212	2586	2975	-	-	-	-	1127	1232	1344	1464																					
UP-NJ9232GK-EAE00	643NA56C4FI	CP: 230V-1ph-50Hz Fan: 230V-1ph-50Hz	5,7	NJ9232GK-A-CSR	943NA1104AF	25	-	-	1830	2312	2853	3442	4071	4728	-	-	936	1025	1117	1215	1322	1443	COP	1,91	982	484	600	69	87	30	61	1	350	1523	67	230/1/50	0,45	2,3	16	8	5/8	3/8	
						32	-	-	1642	2082	2574	3109	3676	4265	-	-	961	1063	1170	1285	1412	1554																					
						38	-	-	-	1884	2330	2812	3321	3849	-	-	-	1096	1218	1349	1493	1653																					
						43	-	-	-	-	2110	2547	3007	3481	-	-	-	-	1257	1402	1562	1738																					
UP-NJ9232GS-EAE00	647NMS6C3FI	CP: 400V-3ph-50Hz Fan: 230V-1ph-50Hz	2,1	NJ9232GS-M	947NM1101AA	25	-	-	1830	2311	2851	3439	4066	4719	-	-	938	1035	1133	1237	1353	1487	COP	1,89	982	484	600	69	87	30	61	1	350	1523	67	230/1/50	0,45	2,3	16	8	5/8	8	
						32	-	-	1642	2082	2573	3106	3670	4254	-	-	963	1070	1183	1306	1445	1606																					
						38	-	-	-	1884	2328	2809	3315	3836	-	-	-	1100	1227	1367	1527	1712																					
						43	-	-	-	-	2109	2544	3000	3466	-	-	-	-	1264	1419	1596	1801																					
UP-NTU6238GKV-EAE00	605EA56C4FI	CP: 230V-1ph-50Hz Fan: 230V-1ph-50Hz	5,6	NTU6238GKV-A-CSR	925EA6004AF	25	-	-	2059	2541	3089	3676	4279	4874	-	-	965	1039	1117	1201	1293	1394	COP	2,03	982	484	600	66	84	30	61	1	350	1523	67	230/1/50	0,45	2,3	16	8	5/8	3/8	
						32	-	-	1888	2322	2808	3323	3844	4352	-	-	1027	1111	1201	1298	1404	1519																					
						38	-	-	-	2113	2543	2992	3441	3871	-	-	-	1168	1270	1380	1498	1627																					
						43	-	-	-	-	2297	2689	3077	3444	-	-	-	-	1326	1447	1577	1718																					
UP-NJ9238GS-EAE00	647RMS6C3FI	CP: 400V-3ph-50Hz Fan: 230V-1ph-50Hz	2,9	NJ9238GS-M	947RM1101AA	25	-	-	2292	2832	3410	4020	4661	5327	-	-	1131	1245	1363	1490	1634	1803	COP	1,92	982	484	600	69	87	30	61	1	350	1523	67	230/1/50	0,45	2,3	16	8	5/8	3/8	
						32	-	-	2044	2531	3055	3611	4195	4802	-	-	1158	1284	1419	1567	1738	1937																					
						38	-	-	-	2263	2736	3240	3771	4323	-	-	-	1317	1467	1635	1828	2054																					
						43	-	-	-	-	2908	3393	-	-	-	-	-	-	-	1691	1903	-																					
UP-NJX6250GS-EAE00	645BS56C3FI	CP: 400V-3ph-50Hz Fan: 230V-1ph-50Hz	3,4	NJX6250GS-M	945BS2101AA	25	-	-	3002	3685	4453	5290	6180	7107	-	-	1447	1599	1760	1932	2115	2312	COP	1,93	1082	490	708	77	95	34	65	1	400	2673	120	230/1/50	0,71	3,9	16	10	5/8	3/8	
						32	-	-	2715	3329	4018	4767	5562	6388	-	-	1530	1696	1871	2059	2260	2475																					
						38	-	-	-	3011	3635	4311	5026	5766	-	-	-	1775	1968	2173	2392	2627																					
						43	-	-	-	-	3313	3929	4578	5248	-	-	-	-	2050	2273	2511	2763																					
UP-SE6015GK-EAE00	651AC56C4FI	CP: 230V-1ph-50Hz Fan: 230V-1ph-50Hz	8,5	SE6015GK-C	301AC1104AA	25	2365	2886	3475	4142	4894	5738	6676	7710	1386	1487	1599	1720	1851	1992	2142	2301	COP	1,96	1082	490	708	91	109	33	64	1	400	2673	120	230/1/50	0,71	3,9	18	12	5/8	1/2	
						32	-	2656	3199	3810	4496	5264	6120	7065	-	-	1649	1774	1909	2054	2210	2375																					2552
						38	-	-	2931	3497	4129	4836	5623	6493	-	-	1953	2102	2262	2432	2613	2807																					
						43	-	-	-	3211	3801	4459	5190	6000	-	-	-	2293	2466	2650	2846	3055																					
UP-SE6015GS-EAE00	651A056C3FI	CP: 400V-3ph-50Hz Fan: 230V-1ph-50Hz	3,2	SE6015GS-O	301A01101AA	25	2366	2888	3477	4144	4897	5742	6681	7717	1364	1463	1572	1691	1820	1958	2105	2261	COP	2	1082	490	708	88	106	33	64	1	400	2673	120	230/1/50	0,71	3,9	18	12	3/4	1/2	
						32	-	2658	3202	3813	4499	5269	6126	7072	-	-	1621	1744	1877	2019	2171	2334																					2507
						38	-	-	2934	3500	4134	4842	5630	6502	-	-	1919	2066	2222	2389	2567	2757																					
						43	-	-	-	3215	3806	4465	5198	6009	-	-	-	2252	2422	2603	2795	2999																					
UP-SE6018GK-EAE00	651BC56C4FI	CP: 230V-1ph-50Hz Fan: 230V-1ph-50Hz	10,2	SE6018GK-C	301BC1104AA	25	2822	3442	4144	4937	5832	6835	7950	9177	1599	1718	1848	1991	2145	2310	2486	2674	COP	2,02	1082	490	708	91	109	33	64	1	400	2545	120	230/1/50	0,91	3,9	18	12	3/4	1/2	
						32	-	3167	3814	4541	5357	6271	7287	8																													

R449A - MBP - SH10K

CONDENSING UNITS				COMPRESSORS		AMBIENT TEMP.	EN13215 - SUBCOOLING OK - MID POINT								INPUT POWER (W)					ECO DESIGN		DIMENSIONS (mm)			WEIGHT		ACOUSTICS dB(A)		CONDENSER / FAN						LIQUID RECEIVER		CONNECTION DIAMETERS					
CONDENSING UNIT MODEL	CONDENSING UNIT BOM	VOLTAGE (V)	I NOM. (A)	COMPRESSOR MODEL	COMPRESSOR BOM		COOLING CAPACITY (W)								-25°C	-20°C	-15°C	-10°C	-5°C	0°C	+5°C	+10°C	Type	COP/Seer	W (Width)	D (Depth)	H (Height)	Net (kg)	Gross (kg)	Sound pressure @10m	Sound power level	Number of Fan	Fan diameter (mm)	Swept volume (m³/h)	Fan Power (W)	Voltage (V)	Internal volume (dm³)	dm³	Suction (mm)	Liquid (mm)	Suction (")	Liquid (")
						UP-NEU6212GK-EAE00	667HAS6C2FI	CP: 230V-1ph-50Hz Fan: 230V-1ph-50Hz	3,1	NEU6212GK-A-CSIR	958HA51M1AJ	25	-	-																												
32	-	-	645	808	996							1209	1445	1703	-	-	422	457	492	527	566	610	-	-	982	484	600	54	72	28	59	1	350	1695	67	230/1/50	0,23	1,6	10	6	3/8	1/4
38	-	-	583	735	910							1105	1320	1554	-	-	429	473	515	557	601	649	-	-	982	484	600	54	72	28	59	1	350	1695	67	230/1/50	0,23	1,6	10	6	3/8	1/4
43	-	-	-	671	830							1008	1204	1415	-	-	-	494	539	585	631	679	-	-	982	484	600	54	72	28	59	1	350	1695	67	230/1/50	0,23	1,6	10	6	3/8	1/4
UP-NEU6215GK-EAE00	669NAS6C4FI	CP: 230V-1ph-50Hz Fan: 230V-1ph-50Hz	2,8	NEU6215GK-A-CSR	959NA5190AF	25	-	-	974	1197	1452	1739	2056	2399	-	-	512	560	610	663	721	786	-	-	982	484	600	54	72	28	59	1	350	1695	67	230/1/50	0,23	1,6	10	6	3/8	1/4
						32	-	-	878	1087	1324	1588	1877	2188	-	-	533	585	640	700	768	844	-	-	982	484	600	54	72	28	59	1	350	1695	67	230/1/50	0,23	1,6	10	6	3/8	1/4
						38	-	-	795	987	1204	1445	1706	1987	-	-	551	608	669	738	815	903	-	-	982	484	600	54	72	28	59	1	350	1695	67	230/1/50	0,23	1,6	10	6	3/8	1/4
						43	-	-	-	1098	1316	1553	1805	-	-	-	697	773	859	957	-	-	-	-	982	484	600	54	72	28	59	1	350	1695	67	230/1/50	0,23	1,6	10	6	3/8	1/4
UP-NT6222GK-EAE00	602CAS6C4FI	CP: 230V-1ph-50Hz Fan: 230V-1ph-50Hz	4,3	NT6222GK-A-CSR	922CA0404AF	25	-	-	1184	1465	1779	2123	2494	2886	-	-	730	783	847	919	998	1080	-	-	982	484	600	60	78	29	60	1	350	1695	67	230/1/50	0,23	1,6	12	8	1/2	3/8
						32	-	-	1062	1314	1594	1899	2227	2573	-	-	757	818	887	963	1043	1123	-	-	982	484	600	60	78	29	60	1	350	1695	67	230/1/50	0,23	1,6	12	8	1/2	3/8
						38	-	-	-	1176	1423	1693	1982	2289	-	-	-	848	920	998	1077	1156	-	-	982	484	600	60	78	29	60	1	350	1695	67	230/1/50	0,23	1,6	12	8	1/2	3/8
						43	-	-	-	-	1269	1508	1765	2039	-	-	-	-	947	1025	1103	1180	-	-	982	484	600	60	78	29	60	1	350	1695	67	230/1/50	0,23	1,6	12	8	1/2	3/8
UP-NT6224GK-EAE00	622RAS6C4FI	CP: 230V-1ph-50Hz Fan: 230V-1ph-50Hz	4,5	NT6224GK-A-CSR	922RA0404AF	25	-	-	1444	1814	2223	2669	3148	3657	-	-	799	861	926	995	1069	1148	-	-	982	484	600	62	80	29	60	1	350	1523	67	230/1/50	0,45	2,3	12	8	1/2	3/8
						32	-	-	1308	1634	1999	2400	2836	3303	-	-	831	902	976	1054	1137	1226	-	-	982	484	600	62	80	29	60	1	350	1523	67	230/1/50	0,45	2,3	12	8	1/2	3/8
						38	-	-	1176	1470	1802	2171	2574	3009	-	-	860	938	1019	1105	1196	1292	-	-	982	484	600	62	80	29	60	1	350	1523	67	230/1/50	0,45	2,3	12	8	1/2	3/8
						43	-	-	-	1639	1984	2363	2774	-	-	-	-	1055	1147	1244	1347	-	-	982	484	600	62	80	29	60	1	350	1523	67	230/1/50	0,45	2,3	12	8	1/2	3/8	
UP-NT6226GK-EAE00	603BAS6C4FI	CP: 230V-1ph-50Hz Fan: 230V-1ph-50Hz	4,8	NT6226GK-A-CSR	923BA0204AF	25	-	-	1590	1990	2444	2945	3486	4058	-	-	825	896	973	1057	1150	1253	-	-	982	484	600	63	81	29	60	1	350	1523	67	230/1/50	0,45	2,3	12	8	1/2	3/8
						32	-	-	1442	1801	2207	2656	3139	3652	-	-	865	945	1031	1123	1224	1335	-	-	982	484	600	63	81	29	60	1	350	1523	67	230/1/50	0,45	2,3	12	8	1/2	3/8
						38	-	-	1303	1628	1995	2399	2835	3297	-	-	900	987	1080	1180	1288	1405	-	-	982	484	600	63	81	29	60	1	350	1523	67	230/1/50	0,45	2,3	12	8	1/2	3/8
						43	-	-	-	1814	2182	2579	2998	-	-	-	-	1119	1225	1339	1462	-	-	982	484	600	63	81	29	60	1	350	1523	67	230/1/50	0,45	2,3	12	8	1/2	3/8	
UP-NJ9232GK-EAE00	643NAS6C4FI	CP: 230V-1ph-50Hz Fan: 230V-1ph-50Hz	5,7	NJ9232GK-A-CSR	943NA1104AF	25	-	-	1802	2288	2833	3428	4064	4734	-	-	931	1020	1112	1211	1321	1445	-	-	982	484	600	69	87	30	61	1	350	1523	67	230/1/50	0,45	2,3	16	8	5/8	3/8
						32	-	-	1608	2044	2535	3074	3654	4265	-	-	956	1057	1164	1279	1408	1555	-	-	982	484	600	69	87	30	61	1	350	1523	67	230/1/50	0,45	2,3	16	8	5/8	3/8
						38	-	-	-	1827	2276	2771	3303	3867	-	-	-	1088	1209	1342	1489	1655	-	-	982	484	600	69	87	30	61	1	350	1523	67	230/1/50	0,45	2,3	16	8	5/8	3/8
						43	-	-	-	2062	2521	3016	3541	-	-	-	-	1248	1395	1559	1744	-	-	982	484	600	69	87	30	61	1	350	1523	67	230/1/50	0,45	2,3	16	8	5/8	3/8	
UP-NJ9232GS-EAE00	647NMS6C3FI	CP: 400V-3ph-50Hz Fan: 230V-1ph-50Hz	2,1	NJ9232GS-M	947NM1101AA	25	-	-	1802	2287	2831	3424	4059	4725	-	-	933	1030	1128	1233	1351	1489	-	-	982	484	600	69	87	30	61	1	350	1523	67	230/1/50	0,45	2,3	16	8	5/8	8
						32	-	-	1608	2043	2534	3071	3648	4254	-	-	957	1064	1176	1300	1441	1607	-	-	982	484	600	69	87	30	61	1	350	1523	67	230/1/50	0,45	2,3	16	8	5/8	8
						38	-	-	-	1827	2275	2768	3297	3855	-	-	-	1092	1219	1360	1523	1714	-	-	982	484	600	69	87	30	61	1	350	1523	67	230/1/50	0,45	2,3	16	8	5/8	8
						43	-	-	-	2061	2518	3010	3529	-	-	-	-	1255	1412	1594	1808	-	-	982	484	600	69	87	30	61	1	350	1523	67	230/1/50	0,45	2,3	16	8	5/8	8	
UP-NTU6238GK-EAE00	605EAS6C4FI	CP: 230V-1ph-50Hz Fan: 230V-1ph-50Hz	5,6	NTU6238GK-A-CSR	925EA6004AF	25	-	-	2025	2510	3061	3655	4269	4882	-	-	959	1032	1110	1195	1290	1397	-	-	982	484	600	66	84	30	61	1	350	1523	67	230/1/50	0,45	2,3	16	8	5/8	3/8
						32	-	-	1841	2274	2764	3287	3825	4356	-	-	1019	1103	1194	1293	1402	1522	-	-	982	484	600	66	84	30	61	1	350	1523	67	230/1/50	0,45	2,3	16	8	5/8	3/8
						38	-	-	-	2051	2488	2952	3424	3886	-	-	-	1160	1262	1373	1494	1627	-	-	982	484	600	66	84	30	61	1	350	1523	67	230/1/50	0,45	2,3	16	8	5/8	3/8
						43	-	-	-	2245	2659	3077	3482	-	-	-	-	1314	1435	1567	1711	-	-	982	484	600	66	84	30	61	1	350	1523	67	230/1/50	0,45	2,3	16	8	5/8	3/8	
UP-NJ9238GS-EAE00	647RMS6C3FI	CP: 400V-3ph-50Hz Fan: 230V-1ph-50Hz	2,9	NJ9238GS-M	947RM1101AA	25	-	-	2258	2799	3378	3993	4644	5328	-	-	1125	1239	1356	1484	1630	1804	-	-	982	484	600	69	87	30	61	1	350	1523	67	230/1/50	0,45	2,3	16	8	5/8	3/8
						32	-	-	1993	2476	3001	3565	4169	4809	-	-	1151	1276	1410	1559	1732	1939	-	-	982	484	600	69	87	30	61	1	350	1523	67	230/1/50	0,45	2,3	16	8	5/8	3/8
						38	-	-	-	2192	2674	3198	3764	4368	-	-	-	1307	1456	1626	1824	2061	-	-	982	484	600	69	87	30	61	1	350	1523	67	230/1/50	0,45	2,3	16	8	5/8	3/8
						43	-	-	-	2896	3431	-	-	-	-	-	-	-	-	1684	1904	-	-	982	484	600	69	87	30	61	1	350	1523	67	230/1/50	0,45	2,3	16	8	5/8	3/8	
UP-NJX6250GS-EAE00	645BS56C3FI	CP: 400V-3ph-50Hz Fan: 230V-1ph-50Hz	3,4	NJX6250GS-M	945BS2101AA	25	-	-	2952																																	

R404A - MBP - RTG20

CONDENSING UNITS				COMPRESSORS		AMBIENT TEMP.	EN13215 - SUBCOOLING OK - MID POINT								INPUT					POWER (W)		ECO DESIGN		DIMENSIONS (mm)			WEIGHT		ACOUSTICS dB(A)		CONDENSER / FAN					LIQUID RECEIVER		CONNECTION DIAMETERS											
CONDENSING UNIT MODEL	CONDENSING UNIT BOM	VOLTAGE (V)	I NOM. (A)	COMPRESSOR MODEL	COMPRESSOR BOM		°C	COOLING CAPACITY (W)								-25°C	-20°C	-15°C	-10°C	-5°C	0°C	+5°C	+10°C	Type	COP/Seer	W (Width)	D (Depth)	H (Height)	Net (kg)	Gross (kg)	Sound pressure @10m	Sound power level	Number of fan	Fan diameter (mm)	Swept volume (m³/h)	Fan Power (W)	Voltage (V)	Internal volume (dm³)	dm³	Suction (mm)	Liquid (mm)	Suction (")	Liquid (")						
						UP-NEU6212GK-EAE00		667HA56C2FI	CP: 230V-1ph-50Hz Fan: 230V-1ph-50Hz	3.1	NEU6212GK-A-CSIR	958HA51M1AJ	25	-	664																													804	968	1152	1355	1573	1804
32	-	585	715	865	1033		1217						1412	1617	-	428	462							496	532	568	606	644																					
38	-	520	641	779	931		1096						1272	1454	-	440	478								517	557	598	640	683																				
43	-	-	580	706	845		995						1152	1315	-	-	493								536	579	624	669	715																				
UP-NEU6215GK-EAE00	669NA56C4FI	CP: 230V-1ph-50Hz Fan: 230V-1ph-50Hz	2,8	NEU6215GK-A-CSR	959NA5190AF	25	-	888	1074	1283	1512	1758	2017	2287	-	499	547					599	654	714	778	849	COP	1,84	982	484	600	54	72	28	59	1	350	1695	67	230/1/50	0,23	1,6	10	6	3/8	1/4			
						32	-	794	962	1152	1359	1581	1816	2059	-	521	572							627	687	752																					823	900	
						38	-	714	867	1039	1227	1429	1642	1861	-	539	593								652	717																					788	865	949
						43	-	-	786	944	1116	1301	1495	1695	-	-	610								674	743																					819	902	994
UP-NT6222GK-EAE00	602CA56C4FI	CP: 230V-1ph-50Hz Fan: 230V-1ph-50Hz	4,3	NT6222GK-A-CSR	922CA0404AF	25	-	1068	1303	1566	1853	2161	2485	2822	-	749	785					835	898	971	1049	1130	COP	1,6	982	484	600	60	78	29	60	1	350	1695	67	230/1/50	0,23	1,6	12	8	1/2	3/8			
						32	-	946	1157	1389	1642	1911	2194	2490	-	764	812							872	941	1016																					1095	1172	
						38	-	-	1026	1233	1456	1693	1943	2203	-	-	840								905	977																					1053	1129	1202
						43	-	-	-	1103	1301	1512	1733	1964	-	-	-								934	1007																					1081	1154	1222
UP-NT6224GK-EAE00	622RA56C4FI	CP: 230V-1ph-50Hz Fan: 230V-1ph-50Hz	4,5	NT6224GK-A-CSR	922RA0404AF	25	-	1284	1599	1950	2334	2743	3174	3620	-	797	857					921	989	1062	1138	1217	COP	1,8	982	484	600	62	80	29	60	1	350	1523	67	230/1/50	0,45	2,3	12	8	1/2	3/8			
						32	-	1151	1426	1736	2076	2441	2825	3226	-	823	891							964	1041	1121																					1204	1289	
						38	-	1034	1278	1556	1861	2189	2537	2899	-	847	923								1003	1086																					1173	1262	1353
						43	-	-	1154	1406	1684	1984	2302	2634	-	-	952								1037	1126																					1217	1311	1407
UP-NT6226GK-EAE00	603BA56C4FI	CP: 230V-1ph-50Hz Fan: 230V-1ph-50Hz	4,8	NT6226GK-A-CSR	923BA0204AF	25	-	1437	1756	2122	2527	2965	3428	3908	-	813	886					964	1046	1134	1228	1328	COP	1,86	982	484	600	63	81	29	60	1	350	1523	67	230/1/50	0,45	2,3	12	8	1/2	3/8			
						32	-	1266	1556	1887	2253	2646	3059	3486	-	853	933							1017	1105	1198																					1297	1402	
						38	-	1129	1394	1694	2024	2377	2747	3128	-	884	972								1062	1156																					1256	1360	1471
						43	-	-	-	1539	1838	2157	2490	2831	-	-	-								1100	1200																					1306	1416	1532
UP-NJ9232GK-EAE00	643NA56C4FI	CP: 230V-1ph-50Hz Fan: 230V-1ph-50Hz	5,7	NJ9232GK-A-CSR	943NA1104AF	25	-	1499	1893	2330	2802	3297	3807	4320	-	1011	1107					1205	1307	1414	1528	1653	COP	1,66	982	484	600	69	87	30	61	1	350	1523	67	230/1/50	0,45	2,3	16	8	5/8	3/8			
						32	-	1283	1640	2036	2460	2903	3356	3809	-	1024	1125							1230	1340	1457																					1584	1721	
						38	-	1101	1423	1780	2161	2557	2959	3359	-	1031	1136								1247	1365																					1492	1628	1777
						43	-	-	-	1564	1907	2262	2621	2976	-	-	-								1259	1384																					1518	1663	1821
UP-NJ9232GS-EAE00	647NMS6C3FI	CP: 400V-3ph-50Hz Fan: 230V-1ph-50Hz	2,1	NJ9232GS-M	947NM1101AA	25	-	1580	1954	2403	2910	3459	4033	4614	-	913	1016					1117	1220	1328	1447	1579	COP	1,87	982	484	600	69	87	30	61	1	350	1523	67	230/1/50	0,45	2,3	16	8	5/8	8			
						32	-	1395	1739	2145	2598	3083	3583	4083	-	925	1036							1148	1265	1391																					1528	1680	
						38	-	1235	1552	1920	2324	2752	3187	3617	-	935	1053								1176	1305																					1445	1598	1768
						43	-	-	-	1727	2090	2469	2850	3221	-	-	-								1199	1339																					1491	1658	1842
UP-NTU6238GK-EAE00	605EA56C4FI	CP: 230V-1ph-50Hz Fan: 230V-1ph-50Hz	5,6	NTU6238GK-A-CSR	925EA6004AF	25	-	1850	2196	2629	3121	3648	4184	4707	-	954	1030					1107	1188	1272	1363	1460	COP	1,99	982	484	600	66	84	30	61	1	350	1523	67	230/1/50	0,45	2,3	16	8	5/8	3/8			
						32	-	1657	1969	2355	2791	3251	3713	4157	-	-	1096							1183	1274	1370																					1473	1582	
						38	-	-	1770	2114	2499	2901	3299	3675	-	-	1147								1244	1346																					1454	1568	1689
						43	-	-	-	1908	2249	2602	2946	3264	-	-	-								1293	1405																					1523	1648	1779
UP-NJ9238GS-EAE00	647RMS6C3FI	CP: 400V-3ph-50Hz Fan: 230V-1ph-50Hz	2,9	NJ9238GS-M	947RM1101AA	25	-	1979	2442	2946	3480	4034	4599	5163	-	1110	1229					1348	1471	1602	1746	1908	COP	1,89	982	484	600	69	87	30	61	1	350	1523	67	230/1/50	0,45	2,3	16	8	5/8	3/8			
						32	-	1744	2157	2606	3080	3571	4068	4563	-	1122	1250							1382	1520	1669																					1834	2018	
						38	-	-	1910	2308	2730	3164	3603	4037	-	-	1269								1411	1563																					1728	1910	2113
						43	-	-	-	2056	2431	2818	3207	3598	-	-	-								1436	1599																					1777	1974	-
UP-NJX6250GS-EAE00	645BS56C3FI	CP: 400V-3ph-50Hz Fan: 230V-1ph-50Hz	3,4	NJX6250GS-M	945BS2101AA	25	-	2633	3202	3831	4511	5233	5987	6765	-	1405	1552					1710	1880	2056	2238	2421	COP	1,88	1082	490	708	77	95	34	65	1	400	2673	120	230/1/50	0,71	3,9	16	10	5/8	3/8			
						32	-	2359	2865	3426	4032	4675	5346	6039	-	1487	1649							1819	1997	2181																					2367	2554	
						38	-	2129	2580	3080	3621	4194	4793	5410	-	1541	1721								1907	2098																					2292	2487	2680
						43	-	-	-	2788	3273	3787	4324	4878	-	-	-								1978	2183																					2389	2594	2795
UP-SE6015GK-EAE00	651ACS6C4FI	CP: 230V-1ph-50Hz Fan: 230V-1ph-50Hz	8,5	SE6015GK-C	301AC1104AA	25	2436	2946	3525	4175	4898	5693	6555	7481	1437	1533	1638					1752	1872	1998	2129	2264	COP	1,95	1082	490	708	91	109	33	64	1	400	2673	120	230/1/50	0,71	3,9	18	12	5/8	1/2			
						32	2238	2704	3226	3806	4447	5149	5912	6732	1605	1713	1829							1951	2079	2212																					2348	2486	
						38	-	2480	2950	3468	4037	4660	5336	6064	-	1888	2014								2144	2279																					2417	2557	2698
						43	-	-	2700	3165	3674	4229	4833	5485	-	-	2183								2321	2462																					2605	2748	2891
UP-SE6015GS-EAE00	651A056C3FI	CP: 400V-3ph-50Hz Fan: 230V-1ph-50Hz	3,2	SE6																																													

R404A - MBP - SH10K

CONDENSING UNITS				COMPRESSORS		AMBIENT TEMP.	EN13215 - SUBCOOLING OK - MID POINT								INPUT					POWER (W)		ECO DESIGN		DIMENSIONS (mm)			WEIGHT		ACOUSTICS dB(A)		CONDENSER / FAN					LIQUID RECEIVER		CONNECTION DIAMETERS				
CONDENSING UNIT MODEL	CONDENSING UNIT BOM	VOLTAGE (V)	I NOM. (A)	COMPRESSOR MODEL	COMPRESSOR BOM		COOLING CAPACITY (W)								-25°C	-20°C	-15°C	-10°C	-5°C	0°C	+5°C	+10°C	Type	COP/Seer	W (Width)	D (Depth)	H (Height)	Net (kg)	Gross (kg)	Sound pressure @10m	Sound power level	Number of fan	Fan diameter (mm)	Swept volume (m³/h)	Fan Power (W)	Voltage (V)	Internal volume (dm³)	dm³	Suction (mm)	Liquid (mm)	Suction (")	Liquid (")
						UP-NEU6212GK-EAE00	667HAS6C2FI	CP: 230V-1ph-50Hz Fan: 230V-1ph-50Hz	3,1	NEU6212GK-A-CSIR	958HA51M1AJ	25	-	619																												
32	-	543	674	826	998							1189	1397	1619	-	422	456	491	526	564	603	644																				
38	-	475	594	733	890							1064	1252	1453	-	433	471	510	551	593	637	683																				
43	-	-	528	655	799							958	1130	1314	-	-	485	528	572	618	665	715																				
UP-NEU6215GK-EAE00	669NAS6C4FI	CP: 230V-1ph-50Hz Fan: 230V-1ph-50Hz	2,8	NEU6215GK-A-CSR	959NA5190AF	25	-	829	1018	1232	1468	1725	2000	2291	-	493	541	593	648	709	775	849	-	-	982	484	600	54	72	28	59	1	350	1695	67	230/1/50	0,23	1,6	10	6	3/8	1/4
						32	-	736	904	1096	1309	1542	1792	2058	-	514	564	619	679	746	819	900																				
						38	-	649	800	974	1168	1382	1613	1859	-	530	584	643	708	780	860	949																				
						43	-	-	713	872	1052	1250	1465	1695	-	-	600	663	733	810	896	993																				
UP-NT6222GK-EAE00	602CAS6C4FI	CP: 230V-1ph-50Hz Fan: 230V-1ph-50Hz	4,3	NT6222GK-A-CSR	922CA0404AF	25	-	1001	1235	1501	1795	2115	2458	2822	-	741	775	825	888	963	1044	1130	-	-	982	484	600	60	78	29	60	1	350	1695	67	230/1/50	0,23	1,6	12	8	1/2	3/8
						32	-	872	1081	1316	1577	1860	2165	2489	-	753	800	859	929	1007	1089	1171																				
						38	-	-	944	1154	1386	1638	1910	2201	-	-	825	890	963	1042	1122	1201																				
						43	-	-	-	1019	1226	1453	1698	1961	-	-	-	917	991	1069	1147	1221																				
UP-NT6224GK-EAE00	622RAS6C4FI	CP: 230V-1ph-50Hz Fan: 230V-1ph-50Hz	4,5	NT6224GK-A-CSR	922RA0404AF	25	-	1194	1513	1872	2267	2694	3148	3628	-	789	848	912	980	1054	1133	1217	-	-	982	484	600	62	80	29	60	1	350	1523	67	230/1/50	0,45	2,3	12	8	1/2	3/8
						32	-	1069	1342	1654	2002	2382	2791	3226	-	811	879	951	1029	1111	1198	1290																				
						38	-	942	1182	1459	1773	2118	2493	2894	-	834	909	988	1072	1161	1255	1353																				
						43	-	-	1046	1299	1587	1907	2257	2633	-	-	935	1020	1110	1204	1303	1406																				
UP-NT6226GK-EAE00	603BAS6C4FI	CP: 230V-1ph-50Hz Fan: 230V-1ph-50Hz	4,8	NT6226GK-A-CSR	923BA0204AF	25	-	1342	1665	2038	2454	2910	3398	3913	-	804	876	953	1036	1125	1222	1328	-	-	982	484	600	63	81	29	60	1	350	1523	67	230/1/50	0,45	2,3	12	8	1/2	3/8
						32	-	1174	1462	1796	2169	2579	3019	3484	-	840	919	1002	1091	1187	1290	1403																				
						38	-	1026	1286	1587	1926	2298	2699	3124	-	870	955	1045	1141	1243	1352	1471																				
						43	-	-	1145	1421	1731	2073	2442	2833	-	-	-	1081	1183	1291	1406	1530																				
UP-NJ9232GK-EAE00	643NAS6C4FI	CP: 230V-1ph-50Hz Fan: 230V-1ph-50Hz	5,7	NJ9232GK-A-CSR	943NA1104AF	25	-	1405	1797	2238	2719	3232	3769	4323	-	1001	1095	1192	1293	1402	1521	1653	-	-	982	484	600	69	87	30	61	1	350	1523	67	230/1/50	0,45	2,3	16	8	5/8	3/8
						32	-	1190	1540	1935	2367	2828	3310	3806	-	1010	1110	1214	1325	1445	1576	1722																				
						38	-	1002	1315	1669	2058	2474	2909	3356	-	1015	1120	1230	1349	1478	1620	1776																				
						43	-	-	-	1449	1801	2178	2573	2979	-	-	-	1241	1366	1502	1652	1818																				
UP-NJ9232GS-EAE00	647NMS6C3FI	CP: 400V-3ph-50Hz Fan: 230V-1ph-50Hz	2,1	NJ9232GS-M	947NM1101AA	25	-	1478	1853	2306	2822	3390	3992	4616	-	904	1005	1105	1207	1317	1439	1579	-	-	982	484	600	69	87	30	61	1	350	1523	67	230/1/50	0,45	2,3	16	8	5/8	8
						32	-	1292	1631	2036	2497	3000	3532	4080	-	912	1022	1133	1250	1377	1519	1681																				
						38	-	1123	1431	1796	2210	2659	3132	3616	-	920	1037	1159	1288	1430	1588	1767																				
						43	-	-	-	1595	1970	2374	2798	3229	-	-	-	1180	1319	1473	1645	1839																				
UP-NTU6238GKV-EAE00	605EAS6C4FI	CP: 230V-1ph-50Hz Fan: 230V-1ph-50Hz	5,6	NTU6238GKV-A-CSR	925EA6004AF	25	-	1731	2082	2521	3026	3573	4141	4711	-	941	1015	1091	1172	1259	1355	1461	-	-	982	484	600	66	84	30	61	1	350	1523	67	230/1/50	0,45	2,3	16	8	5/8	3/8
						32	-	1530	1842	2233	2680	3163	3661	4156	-	992	1077	1164	1256	1355	1464	1583																				
						38	-	-	1627	1976	2375	2803	3242	3675	-	-	1126	1223	1326	1437	1557	1688																				
						43	-	-	-	1761	2119	2502	2892	3273	-	-	-	1269	1382	1502	1633	1774																				
UP-NJ9238GS-EAE00	647RMS6C3FI	CP: 400V-3ph-50Hz Fan: 230V-1ph-50Hz	2,9	NJ9238GS-M	947RM1101AA	25	-	1853	2316	2824	3370	3946	4546	5161	-	1096	1214	1331	1454	1587	1736	1908	-	-	982	484	600	69	87	30	61	1	350	1523	67	230/1/50	0,45	2,3	16	8	5/8	3/8
						32	-	1611	2017	2467	2953	3469	4006	4557	-	1105	1232	1362	1501	1652	1823	2017																				
						38	-	-	1755	2155	2591	3055	3541	4039	-	-	1248	1389	1541	1708	1896	2110																				
						43	-	-	-	1897	2291	2713	3155	-	-	-	-	1411	1574	1754	1956	2187																				
UP-NJX6250GS-EAE00	645BSS6C3FI	CP: 400V-3ph-50Hz Fan: 230V-1ph-50Hz	3,4	NJX6250GS-M	945BS2101AA	25	-	2473	3042	3678	4375	5127	5928	6770	-	1385	1530	1689	1859	2039	2228	2422	-	-	1082	490	708	77	95	34	65	1	400	2673	120	230/1/50	0,71	3,9	16	10	5/8	3/8
						32	-	2178	2682	3250	3875	4553	5276	6039	-	1464	1623	1793	1972	2160	2354	2554																				
						38	-	1931	2378	2886	3448	4059	4713	5406	-	1515	1691	1876	2068	2267	2471	2679																				
						43	-	-	-	2580	3087	3642	4238	4871	-	-	-	1942	2148	2360	2575	2793																				
UP-SE6015GK-EAE00	651ACS6C4FI	CP: 230V-1ph-50Hz Fan: 230V-1ph-50Hz	8,5	SE6015GK-C	301AC1104AA	25	2235	2751	3338	4003	4749	5578	6491	7485	1412	1507	1611	1724	1846	1977	2117	2265	-	-	1082	490	708	91	109	33	64	1	400	2673	120	230/1/50	0,71	3,9	18	12	5/8	1/2
						32	2035	2495	3016	3605	4268	5008	5827	6724	1571	1677	1792	1914	2045	2184	2331	2486																				
						38	1824	2239	2707	3235	3831	4498	5240	6057	1726	1842	1966	2098	2236	2382	2536	2697																				
						43	1629	2009	2434	2914	3455	4063	4743	5495	1867	1993	2126	2265	2410	2563	2722	2887																				
UP-SE6015GS-EAE00	651AOS6C3FI	CP: 400V-3ph-50Hz Fan: 230V-1ph-50Hz	3,2	SE6015GS-O	301AO1101AA	25	2236	2752	3340	4006	4753	5583	6497	7493	1389	1482	1584	1695	1815	1944	2081	2226	-	-	1082	490	708	88	106	33	64	1	400	2673	120	230/1/50	0,71	3,9	18	12	3/4	1/2
						32	2036	2497	3019	3609	4273	5014	5834	6733	1545	1649	1761	1882	2010	2146	2291	2443																				
						38	1826	2242	2710	3240	3836	4505	5248	6066	1697	1811	1933	2061	2197	2341	2491	2649																				
						43	1632	2012	2438	2919	3461	4071	4751	5505	1835	1959	2089	2225	2368	2517	2674	2836																				
UP-SE6018GK-EAE00	651BCS6C4FI	CP: 230V-1ph-50Hz Fan: 230V-1ph-50Hz	10,2	SE6018GK-C	301BC1104AA	25	2665	3278	3977	4766	5652	6634	7715	8891	1630																											

R134a - MBP - RTG20

CONDENSING UNITS			COMPRESSORS		AMBIENT TEMP.	EN13215 - SUBCOOLING OK - MID POINT								INPUT				POWER (W)		ECO DESIGN		DIMENSIONS (mm)			WEIGHT		ACOUSTICS dB(A)		CONDENSER / FAN					LIQUID RECEIVER		CONNECTION DIAMETERS				
CONDENSING UNIT MODEL	CONDENSING UNIT BOM	VOLTAGE (V)	I NOM. (A)	COMPRESSOR MODEL		COMPRESSOR BOM	COOLING CAPACITY (W)								-20°C	-15°C	-10°C	-5°C	0°C	+5°C	+10°C	Type	Cop/Seer	W (Width)	D (Depth)	H (Height)	Net (kg)	Gross (kg)	Sound p/10m	Sound power level	Number of fan	Fan diameter (mm)	Swept volume (m³/h)	Fan Power (W)	Voltage (V)	Internal volume (dm³)	dm³	Suction (mm)	Liquid (mm)	Suction (")
UP-NEU6214Z-EA00	668NAS6C4FI	CP: 230V-1ph-50Hz Fan: 230V-1ph-50Hz	2,9	NEU6214Z-A-CSR	269NA5190AF	25	-	770	957	1181	1440	1728	2040	-	439	478	524	578	639	706	COP	1,79	982	484	600	54	72	28	59	1	350	1695	67	230/1/50	0,23	1,6	10	6	3/8	1/4
						32	-	716	893	1102	1342	1608	1895	-	457	499	549	605	668	738																				
						38	-	667	833	1029	1252	1497	1762	-	471	517	570	630	696	768																				
						43	-	-	779	963	1171	1400	1645	-	-	531	588	651	720	796																				
UP-NJ6220ZZ-EA00	644HAS6C4FI	CP: 230V-1ph-50Hz Fan: 230V-1ph-50Hz	6,2	NJ6220Z-A-CSR	144CA1104AF	25	-	1062	1337	1635	1963	2324	2723	-	673	735	795	861	939	1037	COP	1,6	982	484	600	56	74	29	60	1	350	1695	67	230/1/51	0,23	1,6	12	6	1/2	1/4
						32	-	925	1182	1457	1760	2093	2462	-	666	741	814	892	982	1093																				
						38	-	-	1053	1310	1590	1899	2240	-	-	745	829	918	1020	1142																				
						43	-	-	950	1190	1451	1739	2058	-	-	749	842	940	1051	1182																				
UP-NJ6226Z-EA00	642HAS6C4FI	CP: 230V-1ph-50Hz Fan: 230V-1ph-50Hz	5,6	NJ6226Z-A-CSR	142HA1404AF	25	-	1402	1718	2059	2425	2817	3235	-	768	860	957	1062	1182	1322	COP	1,72	982	484	600	56	74	29	60	1	350	1695	67	230/1/52	0,23	1,6	12	6	1/2	1/4
						32	-	1223	1519	1836	2175	2538	2924	-	784	885	990	1104	1232	1381																				
						38	-	-	1353	1649	1965	2302	2660	-	-	898	1012	1134	1272	1429																				
						43	-	-	-	1497	1794	-	-	-	-	-	-	1024	1156	-																				
UP-NJ6226ZX-EA00	546EMS6C3FI	CP: 400V-3ph-50Hz Fan: 230V-1ph-50Hz	2,2	NJ6226ZX-M	148IM1101AA	25	-	1626	1892	2212	2572	2959	3355	-	734	813	903	1004	1117	1242	COP	1,98	982	484	600	56	74	29	60	1	350	1695	67	230/1/53	0,23	1,6	12	6	1/2	1/4
						32	-	1386	1647	1951	2286	2638	2991	-	738	831	935	1049	1174	1310																				
						38	-	-	1435	1726	2038	2360	2677	-	-	847	963	1089	1224	1369																				
						43	-	-	-	1536	1830	-	-	-	-	-	-	986	1122	-																				
UP-SE6015GK-EAE00	6S1ACS6C4FI	CP: 230V-1ph-50Hz Fan: 230V-1ph-50Hz	5,3	SE6015GK-C	301AC1104AA	25	1564	1941	2413	2972	3612	4325	5102	941	990	1050	1116	1186	1259	1331	COP	1,97	1082	490	708	91	109	33	64	1	400	2673	120	230/1/50	0,71	3,9	18	12	3/4	1/2
						32	1437	1796	2245	2777	3385	4060	4795	1015	1073	1142	1218	1298	1381	1464																				
						38	1331	1668	2092	2595	3171	3809	4504	1084	1150	1226	1310	1400	1491	1583																				
						43	1248	1563	1962	2438	2982	3588	4246	1149	1220	1303	1394	1490	1589	1688																				
UP-SE6015GS-EAE00	6S1AOS6C3FI	CP: 400V-3ph-50Hz Fan: 230V-1ph-50Hz	2,3	SE6015GS-O	301A01101AA	25	1564	1942	2413	2973	3613	4326	5104	926	975	1033	1098	1167	1239	1309	COP	2,00	1082	490	708	88	106	33	64	1	400	2673	120	230/1/50	0,71	3,9	18	12	3/4	1/2
						32	1438	1797	2246	2778	3386	4062	4797	999	1056	1124	1198	1277	1359	1440																				
						38	1331	1669	2093	2597	3172	3811	4506	1067	1132	1207	1289	1377	1467	1557																				
						43	1249	1564	1963	2439	2984	3590	4249	1130	1201	1282	1371	1466	1563	1660																				
UP-SE6018GK-EAE00	6S1BCS6C4FI	CP: 230V-1ph-50Hz Fan: 230V-1ph-50Hz	6,2	SE6018GK-C	301BC1104AA	25	1865	2315	2877	3543	4305	5153	6077	1079	1137	1206	1284	1368	1454	1539	COP	2,04	1082	490	708	91	109	33	64	1	400	2545	120	230/1/50	0,91	3,9	18	12	3/4	1/2
						32	1714	2142	2677	3310	4033	4836	5709	1165	1234	1314	1403	1498	1596	1694																				
						38	1587	1989	2494	3093	3777	4537	5362	1246	1323	1413	1511	1616	1724	1833																				
						43	1488	1863	2339	2905	3553	4273	5054	1321	1405	1502	1609	1722	1839	1956																				
UP-SE6018GS-EAE00	6S1BOS6C3FI	CP: 400V-3ph-50Hz Fan: 230V-1ph-50Hz	3,7	SE6018GS-O	301B01101AA	25	1867	2317	2879	3546	4309	5158	6083	1031	1086	1152	1226	1305	1386	1467	COP	2,14	1082	490	708	89	107	33	64	1	400	2545	120	230/1/50	0,91	3,9	18	12	3/4	1/2
						32	1716	2144	2680	3314	4038	4842	5717	1113	1178	1254	1339	1429	1522	1614																				
						38	1589	1991	2497	3098	3783	4544	5371	1190	1263	1348	1441	1541	1643	1746																				
						43	1490	1866	2342	2910	3559	4281	5064	1261	1341	1433	1534	1641	1752	1862																				
UP-SE6021GK-EAE00	6S1CCS6C4FI	CP: 230V-1ph-50Hz Fan: 230V-1ph-50Hz	6,9	SE6021GK-C	301CC1104AA	25	2108	2615	3247	3995	4848	5794	6820	1196	1264	1345	1437	1536	1639	1743	COP	2,06	1082	490	708	92	110	33	64	1	400	2545	120	230/1/50	0,91	3,9	18	12	3/4	1/2
						32	1936	2417	3018	3727	4534	5426	6393	1292	1372	1465	1569	1681	1798	1915																				
						38	1793	2244	2809	3479	4240	5082	5993	1383	1472	1576	1691	1814	1942	2071																				
						43	1682	2102	2634	3265	3984	4780	5641	1468	1565	1677	1801	1933	2071	2209																				
UP-SE6021GS-EAE00	6S1COS6C3FI	CP: 400V-3ph-50Hz Fan: 230V-1ph-50Hz	3,8	SE6021GS-O	301C01101AA	25	2111	2618	3251	4000	4854	5801	6829	1138	1202	1279	1365	1459	1556	1654	COP	2,17	1082	490	708	90	108	33	64	1	400	2545	120	230/1/50	0,91	3,9	18	12	3/4	1/2
						32	1939	2421	3022	3732	4541	5435	6404	1229	1304	1392	1491	1596	1706	1817																				
						38	1796	2247	2814	3485	4248	5092	6005	1315	1399	1497	1605	1721	1842	1964																				
						43	1685	2106	2639	3272	3993	4792	5655	1395	1486	1592	1709	1834	1963	2094																				
UP-SE6026GS-EAE00	6S1GOS6C3FI	CP: 400V-3ph-50Hz Fan: 230V-1ph-50Hz	5	SE6026GS-O	301G01101AA	25	2705	3358	4177	5150	6267	7515	8882	1483	1557	1643	1740	1841	1945	2045	COP	2,18	1277	538	1005	126	144	36	67	1	500	5195	220	230/1/50	1,34	6	22	16	7/8	5/8
						32	2488	3112	3895	4824	5888	7076	8373	1598	1685	1786	1897	2014	2134	2250																				
						38	2304	2893	3634	4516	5527	6654	7886	1704	1802	1916	2040	2170	2303	2433																				
						43	2161	2711	3411	4247	5208	6280	7450	1803	1910	2033	2167	2308	2452	2594																				
UP-SE6030GS-EAE00	6S1DOS6C3FI	CP: 400V-3ph-50Hz Fan: 230V-1ph-50Hz	5,4	SE6030GS-O	301D01101AA	25	3051	3787	4707	5800	7050	8445	9967	1614	1697	1796	1907	2025	2146	2265	COP	2,25	1277	538	1005	127	145	36	67	1	500	5195	220	230/1/50	1,34	6	22	16	7/8	5/8
						32	2805	3507	4385	5425	6615	7937	9378	1739	1838	1953	2080	2215	2353	2490																				
						38	2598	3258	4088	5075	6202	7455	8820	1857	1967	2096	2236	2386	2539	2691																				
						43	2437	3054	3837	4770	5839	7029	8324	1965	2086	2225	2377	2539	2704	2869																				
UP-SE6036GS-EAE00	6S1EOS6C3FI	CP: 400V-3ph-50Hz Fan: 230V-1ph-50Hz	5,7	SE6036GS-O	301E01101AA	25	3756	4662	5796	7143	8686	10408	12289	1894	1993	2111	2242	2381	2524	2664	SEPR	3,21	1277	538	1005	127	145	36	67	1	500	4739	220	230/1/50	2,23	6	22	16	7/8	5/8
						32	3454	4319	5401	6686	8154	9789	11572	2045	2162	2299	2450	2609	2773	2934																				
						38	3199	4014	5038	6256	7649	9200	10889	2186	2318	2470	2638	2815	2996	3176																				
						43	3001	3762	4729	5																														

R134a - MBP - SH10K

CONDENSING UNITS			COMPRESSORS		AMBIENT TEMP.	EN13215 - SUBCOOLING OK - MID POINT								INPUT			POWER (W)		ECO DESIGN		DIMENSIONS (mm)			WEIGHT		ACOUSTICS dB(A)		CONDENSER / FAN					LIQUID RECEIVER		CONNECTION DIAMETERS					
CONDENSING UNIT MODEL	CONDENSING UNIT BOM	VOLTAGE (V)	I NOM. (A)	COMPRESSOR MODEL		COMPRESSOR BOM	COOLING CAPACITY (W)								-20°C	-15°C	-10°C	-5°C	0°C	+5°C	+10°C	Type	Cop/Seer	W (Width)	D (Depth)	H (Height)	Net (kg)	Gross (kg)	Sound pressure @10m	Sound power level	Number of fan	Fan diameter (mm)	Swept volume (m³/h)	Fan Power (W)	Voltage (V)	Internal volume (dm³)	dm³	Suction (mm)	Liquid (mm)	Suction (")
UP-NEU6214Z-EA00	668NAS6C4FI	CP: 230V-1ph-50Hz Fan: 230V-1ph-50Hz	2,9	NEU6214Z-A-CSR	269NA5190AF	25	-	753	940	1166	1427	1721	2042	-	437	476	523	577	638	706	-	-	982	484	600	54	72	28	59	1	350	1695	67	230/1/50	0,23	1,6	10	6	3/8	1/4
						32	-	696	872	1083	1327	1598	1895	-	455	497	547	603	667	738																				
						38	-	642	808	1006	1233	1486	1762	-	468	507	557	627	694	768																				
						43	-	-	752	938	1151	1388	1645	-	-	528	585	648	718	796																				
UP-NJ6220ZZ-EA00	644HAS6C4FI	CP: 230V-1ph-50Hz Fan: 230V-1ph-50Hz	6,2	NJ6220Z-A-CSIR	144CA1104AF	25	-	1036	1313	1614	1946	2315	2723	-	671	732	792	858	936	1037	-	-	982	484	600	56	74	29	60	1	350	1695	67	230/1/51	0,23	1,6	12	6	1/2	1/4
						32	-	900	1155	1432	1738	2079	2459	-	663	737	810	888	980	1093																				
						38	-	-	1021	1278	1563	1882	2240	-	-	741	825	914	1017	1141																				
						43	-	-	914	1157	1425	1727	2066	-	-	745	837	936	1047	1180																				
UP-NJ6226Z-EA00	642HAS6C4FI	CP: 230V-1ph-50Hz Fan: 230V-1ph-50Hz	5,6	NJ6226Z-A-CSR	142HA1404AF	25	-	1369	1687	2030	2401	2802	3233	-	764	855	951	1057	1179	1323	-	-	982	484	600	56	74	29	60	1	350	1695	67	230/1/52	0,23	1,6	12	6	1/2	1/4
						32	-	1187	1481	1799	2143	2517	2922	-	779	880	985	1100	1230	1381																				
						38	-	-	1308	1607	1932	2285	2669	-	-	893	1007	1129	1267	1424																				
						43	-	-	-	1457	1766	-	-	-	-	-	1018	1147	-	-																				
UP-NJ6226ZX-EA00	546EMS6C3FI	CP: 400V-3ph-50Hz Fan: 230V-1ph-50Hz	2,2	NJ6226ZX-M	148IM1101AA	25	-	1588	1856	2180	2547	2943	3354	-	731	809	898	1000	1115	1243	-	-	982	484	600	56	74	29	60	1	350	1695	67	230/1/53	0,23	1,6	12	6	1/2	1/4
						32	-	1345	1606	1913	2255	2618	2991	-	734	826	930	1044	1171	1310																				
						38	-	-	1390	1684	2005	2343	2684	-	-	842	957	1083	1220	1367																				
						43	-	-	-	1497	1802	-	-	-	-	-	979	1114	-	-																				
UP-SE6015GK-EAE00	6S1AC56C4FI	CP: 230V-1ph-50Hz Fan: 230V-1ph-50Hz	5,3	SE6015GK-C	301AC1104AA	25	1526	1903	2374	2935	3582	4307	5106	945	992	1049	1113	1183	1256	1330	-	-	1082	490	708	91	109	33	64	1	400	2673	120	230/1/50	0,71	3,9	18	12	3/4	1/2
						32	1386	1744	2193	2729	3345	4037	4797	1009	1066	1134	1210	1292	1377	1464																				
						38	1271	1607	2031	2539	3125	3782	4504	1077	1142	1218	1303	1394	1489	1585																				
						43	1183	1495	1894	2375	2932	3557	4245	1141	1212	1295	1386	1484	1585	1688																				
UP-SE6015GS-EAE00	6S1A0S6C3FI	CP: 400V-3ph-50Hz Fan: 230V-1ph-50Hz	2,3	SE6015GS-O	301A01101AA	25	1527	1903	2375	2936	3583	4309	5108	930	977	1033	1096	1164	1236	1309	-	-	1082	490	708	88	106	33	64	1	400	2673	120	230/1/50	0,71	3,9	18	12	3/4	1/2
						32	1387	1745	2194	2730	3347	4039	4799	993	1050	1116	1191	1271	1355	1440																				
						38	1272	1608	2032	2541	3127	3784	4507	1060	1124	1199	1282	1371	1464	1558																				
						43	1183	1496	1896	2377	2934	3559	4248	1123	1193	1274	1363	1459	1559	1660																				
UP-SE6018GK-EAE00	6S1BC56C4FI	CP: 230V-1ph-50Hz Fan: 230V-1ph-50Hz	6,2	SE6018GK-C	301BC1104AA	25	1820	2269	2830	3499	4268	5132	6082	1083	1139	1206	1281	1364	1450	1538	-	-	1082	490	708	91	109	33	64	1	400	2545	120	230/1/50	0,91	3,9	18	12	3/4	1/2
						32	1653	2079	2614	3252	3986	4808	5712	1158	1225	1305	1394	1491	1592	1694																				
						38	1516	1916	2421	3026	3723	4504	5363	1237	1314	1403	1503	1610	1721	1835																				
						43	1410	1782	2258	2831	3492	4235	5052	1313	1396	1492	1600	1714	1834	1955																				
UP-SE6018GS-EAE00	6S1B0S6C3FI	CP: 400V-3ph-50Hz Fan: 230V-1ph-50Hz	3,7	SE6018GS-O	301B01101AA	25	1822	2271	2833	3502	4272	5137	6088	1036	1088	1152	1223	1301	1383	1466	-	-	1082	490	708	89	107	33	64	1	400	2545	120	230/1/50	0,91	3,9	18	12	3/4	1/2
						32	1655	2082	2618	3256	3991	4815	5719	1106	1170	1246	1331	1422	1517	1614																				
						38	1518	1919	2425	3031	3729	4512	5372	1181	1254	1339	1433	1535	1640	1748																				
						43	1412	1785	2262	2836	3499	4243	5062	1253	1332	1423	1525	1634	1747	1862																				
UP-SE6021GK-EAE00	6S1CC56C4FI	CP: 230V-1ph-50Hz Fan: 230V-1ph-50Hz	6,9	SE6021GK-C	301CC1104AA	25	2055	2561	3192	3943	4804	5768	6825	1199	1264	1342	1432	1530	1634	1741	-	-	1082	490	708	92	110	33	64	1	400	2545	120	230/1/50	0,91	3,9	18	12	3/4	1/2
						32	1866	2345	2946	3660	4479	5394	6395	1284	1362	1455	1559	1673	1793	1916																				
						38	1712	2160	2726	3402	4177	5044	5993	1373	1461	1565	1681	1806	1938	2073																				
						43	1593	2009	2541	3179	3914	4737	5638	1458	1554	1665	1789	1923	2063	2206																				
UP-SE6021GS-EAE00	6S1C0S6C3FI	CP: 400V-3ph-50Hz Fan: 230V-1ph-50Hz	3,8	SE6021GS-O	301C01101AA	25	2058	2564	3196	3947	4810	5775	6834	1141	1202	1276	1361	1453	1551	1653	-	-	1082	490	708	90	108	33	64	1	400	2545	120	230/1/50	0,91	3,9	18	12	3/4	1/2
						32	1869	2349	2950	3665	4486	5402	6406	1221	1295	1382	1481	1588	1701	1818																				
						38	1715	2164	2731	3408	4186	5055	6005	1306	1389	1486	1596	1714	1838	1965																				
						43	1596	2013	2546	3186	3923	4748	5652	1386	1476	1581	1698	1825	1957	2092																				
UP-SE6026GS-EAE00	6S1G0S6C3FI	CP: 400V-3ph-50Hz Fan: 230V-1ph-50Hz	5	SE6026GS-O	301G01101AA	25	2644	3296	4115	5092	6219	7489	8892	1493	1563	1647	1740	1839	1942	2045	-	-	1277	538	1005	126	144	36	67	1	500	5195	220	230/1/50	1,34	6	22	16	7/8	5/8
						32	2402	3025	3808	4743	5823	7037	8378	1590	1675	1775	1887	2005	2127	2250																				
						38	2204	2790	3532	4422	5451	6609	7888	1693	1790	1903	2028	2161	2298	2436																				
						43	2050	2596	3297	4142	5122	6228	7450	1792	1898	2021	2156	2299	2448	2596																				
UP-SE6030GS-EAE00	6S1D0S6C3FI	CP: 400V-3ph-50Hz Fan: 230V-1ph-50Hz	5,4	SE6030GS-O	301D01101AA	25	2980	3714	4634	5730	6993	8412	9976	1622	1702	1797	1904	2020	2142	2264	-	-	1277	538	1005	127	145	36	67	1	500	5195	220	230/1/50	1,34	6	22	16	7/8	5/8
						32	2707	3406	4285	5332	6539	7893	9383	1730	1826	1940	2067	2204	2346	2490																				
						38	2484	3141	3972	4967	6114	7403	8821	1844	1954	2082	2224	2376	2534	2694																				
						43	2311	2923	3706	4650	5741	6969	8322	1953	2073	2211	2364	2528	2698	2870																				
UP-SE6036GS-EAE00	6S1E0S6C3FI	CP: 400V-3ph-50Hz Fan: 230V-1ph-50Hz	5,7	SE6036GS-O	301E01101AA	25	3669	4574	5707	7059	8617	10369	12302	1905	2000	2113	2240	2377	2519	2663	-	-	1277	538	1005	127	145	36	67	1	500	4739	220	230/1/50	2,23	6	22	16	7/8	5/8
						32	3334	4196	5279	6572	8062	9735	11578	2034	2149	2284	2435	2597	2765	2934																				
						38	3059	3869	4895	6124	7542	9136	10892	2171	2302	2454	2623	2803	2991	3179																				
						43	2846	3602	4569	5735	7084	8604	10280	2302	2444	2609	2791																							

R452A - LBP - RTG20

CONDENSING UNITS				COMPRESSORS		AMBIENT TEMP.	EN13215 - SUBCOOLING OK - MID POINT						INPUT POWER (W)		ECO DESIGN		DIMENSIONS (mm)			WEIGHT		ACOUSTICS dB(A)		CONDENSER / FAN					LIQUID RECEIVER	CONNECTION DIAMETERS								
CONDENSING UNIT MODEL	CONDENSING UNIT BOM	VOLTAGE (V)	I NOM. (A)	COMPRESSOR MODEL	COMPRESSOR BOM		(°C)	COOLING CAPACITY (W)						-35°C	-30°C	-25°C	-20°C	Type	Cop/Seer	W (Width)	D (Depth)	H (Height)	Net (kg)	Gross (kg)	Sound pressure @10m	Sound power level	Number of fan	Fan diameter (mm)	Swept volume (m³/h)	Fan Power (W)	Voltage (V)	Internal volume (dm³)	dm³	Suction (mm)	Liquid (mm)	Suction (")	Liquid (")	
UP-NT2180GK-EAE00	503HAS6C4FI	CP: 230V-1ph-50Hz Fan: 230V-1ph-50Hz	2,4	NT2180GK-A-CSR	923HA0404AF	25	625	793	999	1238	1507	1799	560	617	682	759	849	954	COP	0,98	982	484	600	65	83	29	60	1	350	1695	67	230/1/50	0,23	1,6	12	6	1/2	1/4
						32	544	700	886	1097	1331	1583	557	631	710	797	894	1001																				
						38	472	617	783	970	1175	1393	564	647	733	824	921	1026																				
						43	-	547	698	864	1044	1234	-	658	747	838	933	1033																				
UP-NT2192GK-EAE00	503EAS6C4FI	CP: 230V-1ph-50Hz Fan: 230V-1ph-50Hz	2,7	NT2192GK-A-CSR	923EA0404AF	25	674	853	1063	1304	1575	1872	585	658	734	818	913	1025	COP	1	982	484	600	65	83	29	60	1	350	1695	67	230/1/50	0,23	1,6	12	8	1/2	3/8
						32	583	747	937	1153	1393	1656	590	673	759	852	957	1079																				
						38	506	655	827	1020	1234	1467	593	684	778	879	992	1121																				
						43	-	582	736	910	1101	1308	-	690	790	897	1016	1151																				
UP-NT2212GK-EAE00	505DAS6C4FI	CP: 230V-1ph-50Hz Fan: 230V-1ph-50Hz	3,7	NT2212GK-A-CSR	925DA0204AF	25	890	1122	1406	1740	2121	2544	713	801	899	1010	1135	1274	COP	1,09	982	484	600	65	83	29	60	1	350	1523	67	230/1/50	0,45	2,3	16	8	1/2	3/8
						32	773	990	1251	1553	1895	2271	718	822	934	1058	1193	1341																				
						38	673	874	1113	1386	1692	2028	727	842	965	1097	1239	1391																				
						43	-	780	998	1245	1521	1821	-	857	987	1125	1270	1425																				
UP-NJX2219GS-EAE00	545ASS6C3FI	CP: 400V-3ph-50Hz Fan: 230V-1ph-50Hz	2,3	NJX2219GS-M	945AS2101AA	25	1231	1604	2059	2586	3174	3812	1000	1138	1290	1457	1640	1840	COP	1,09	1082	490	708	69	87	34	65	1	400	2673	120	230/1/50	0,71	3,9	16	8	3/4	3/8
						32	1129	1468	1876	2346	2866	3427	1042	1189	1351	1528	1722	1931																				
						38	1018	1328	1698	2119	2582	3079	1064	1223	1397	1586	1791	2012																				
						43	913	1200	1538	1920	2336	2780	1074	1245	1430	1631	1847	2080																				
UP-SE2006GK-EAE00	5S3ACS6C4FI	CP: 230V-1ph-50Hz Fan: 230V-1ph-50Hz	5,6	SE2006GK-C	303AC1204AA	25	1435	1750	2129	2576	3099	3699	1115	1186	1264	1349	1440	1539	COP	1,08	1082	490	708	91	109	33	64	1	400	2673	120	230/1/50	0,71	3,9	18	10	3/4	3/8
						32	1318	1612	1962	2374	2854	3404	1240	1319	1405	1498	1599	1706																				
						38	1210	1480	1800	2177	2615	3118	1366	1450	1542	1642	1749	1865																				
						43	1120	1365	1656	2000	2400	2861	1493	1580	1676	1780	1893	2015																				
UP-SE2006GS-EAE00	5S3AOS6C3FI	CP: 400V-3ph-50Hz Fan: 230V-1ph-50Hz	2,4	SE2006GS-O	303AO1201AA	25	1436	1751	2129	2577	3099	3700	1106	1177	1254	1338	1428	1526	COP	1,09	1082	490	708	88	106	33	64	1	400	2673	120	230/1/50	0,71	3,9	18	10	3/4	3/8
						32	1318	1612	1963	2375	2855	3405	1231	1308	1393	1486	1585	1692																				
						38	1211	1480	1801	2178	2616	3120	1355	1438	1529	1628	1735	1849																				
						43	1120	1365	1657	2001	2401	2863	1481	1567	1662	1765	1877	1998																				
UP-SE2008GK-EAE00	5S3BCS6C4FI	CP: 230V-1ph-50Hz Fan: 230V-1ph-50Hz	7,2	SE2008GK-C	303BC1204AA	25	1806	2199	2669	3220	3858	4584	1424	1522	1630	1749	1879	2020	COP	1,05	1082	490	708	91	109	33	64	1	400	2673	120	230/1/50	0,71	3,9	18	10	3/4	3/8
						32	1654	2017	2448	2951	3531	4191	1589	1696	1815	1945	2087	2240																				
						38	1515	1846	2236	2692	3218	3816	1758	1872	1999	2137	2289	2453																				
						43	1399	1697	2050	2461	2938	3481	1930	2048	2180	2326	2484	2656																				
UP-SE2008GS-EAE00	5S3BOS6C3FI	CP: 400V-3ph-50Hz Fan: 230V-1ph-50Hz	2,7	SE2008GS-O	303BO1201AA	25	1807	2201	2670	3222	3860	4588	1397	1493	1599	1715	1842	1980	COP	1,08	1082	490	708	88	106	33	64	1	400	2673	120	230/1/50	0,71	3,9	18	10	3/4	3/8
						32	1655	2019	2450	2954	3535	4196	1558	1663	1779	1906	2045	2195																				
						38	1516	1848	2239	2696	3222	3822	1723	1835	1959	2094	2242	2403																				
						43	1400	1700	2053	2465	2943	3488	1891	2007	2136	2278	2433	2602																				
UP-SE2010GK-EAE00	5S3CCS6C4FI	CP: 230V-1ph-50Hz Fan: 230V-1ph-50Hz	8,4	SE2010GK-C	303CC1204AA	25	2097	2550	3087	3715	4436	5251	1668	1788	1922	2071	2234	2412	COP	1,04	1082	490	708	91	109	33	64	1	400	2673	120	230/1/50	0,71	3,9	18	10	3/4	3/8
						32	1915	2331	2821	3390	4041	4776	1865	1997	2143	2304	2482	2675																				
						38	1751	2128	2569	3081	3667	4328	2069	2209	2365	2538	2727	2933																				
						43	1615	1952	2347	2806	3333	3929	2278	2424	2587	2767	2965	3182																				
UP-SE2010GS-EAE00	5S3COS6C3FI	CP: 400V-3ph-50Hz Fan: 230V-1ph-50Hz	4,3	SE2010GS-O	303CO1201AA	25	2099	2552	3090	3718	4441	5258	1631	1748	1879	2023	2182	2356	COP	1,06	1082	490	708	89	107	33	64	1	400	2673	120	230/1/50	0,71	3,9	18	10	3/4	3/8
						32	1917	2334	2825	3395	4047	4784	1823	1951	2094	2251	2424	2612																				
						38	1753	2131	2573	3086	3674	4337	2021	2158	2310	2478	2662	2863																				
						43	1618	1956	2352	2813	3341	3940	2225	2367	2526	2701	2894	3105																				
UP-SE2012GS-EAE00	5S3GOS6C3FI	CP: 400V-3ph-50Hz Fan: 230V-1ph-50Hz	5,4	SE2012GS-O	303GO1201AA	25	2793	3406	4142	5014	6030	7198	2105	2240	2387	2547	2721	2907	SEPR	1,77	1277	538	1005	117	139	36	67	1	500	5195	220	230/1/50	1,34	6	22	12	7/8	1/2
						32	2565	3137	3819	4621	5555	6626	2342	2491	2653	2830	3020	3225																				
						38	2356	2881	3505	4239	5092	6072	2581	2739	2912	3101	3306	3525																				
						43	2180	2657	3225	3894	4674	5573	2820	2984	3165	3363	3577	3808																				
UP-SE2014GS-EAE00	5S3DOS6C3FI	CP: 400V-3ph-50Hz Fan: 230V-1ph-50Hz	5,2	SE2014GS-O	303DO1201AA	25	3238	3945	4792	5791	6951	8278	2246	2394	2558	2737	2931	3142	SEPR	1,91	1277	538	1005	118	140	36	67	1	500	5195	220	230/1/50	1,34	6	22	12	7/8	1/2
						32	2971	3628	4410	5326	6387	7599	2500	2663	2843	3039	3251	3481																				
						38	2726	3329	4041	4877	5844	6949	2757	2930	3122	3332	3559	3805																				
						43	2522	3068	3715	4474	5356	6366	3016	3196	3396	3615	3853	4111																				
UP-SE2017GS-EAE00	5S3EOS6C3FI	CP: 400V-3ph-50Hz Fan: 230V-1ph-50Hz	6,3	SE2017GS-O	303EO1201AA	25	3803	4628	5612	6766	8097	9610	2581	2760	2959	3178	3418	3680	SEPR	1,95	1277	538	1005	118	140	36	67	1	500	5195	220	230/1/50	1,34	6	22	12	7/8	1/2
						32	3483	4246	5148	6201	7412	8785	2878	3074	3291	3530	3791	4075																				
						38	3192	3888	4706	5660	6758	8003	3181	3390	3621	3876	4154	4456																				
						43	2950	3577	4316	5179	6174	7306	3488	3705	3947	4213	4504	4821																				
UP-SE2020GS-EAE00	5S3FOS6C3FI	CP: 400V-3ph-50Hz Fan: 230V-1ph-50Hz	6,9	SE2020GS-O	303FO1201AA	25	4403	5350	6473	7782	9282	10973	3012	3232	3477	3749	4049	4378	SEPR	1,93	1277	538	1005	120	142	36	67	1	500	5195	220	230/1/50	1,34	6	22	12	7/8	1/2
						32	4023	4894	5917	7104	8458	9982	3364	3604	3871	4167	4492	4848																				
						38	3681	4470	5393	6461	7680	9052																										

R452A - LBP - SH10K

CONDENSING UNITS				COMPRESSORS		AMBIENT TEMP.	EN13215 - SUBCOOLING OK - MID POINT								ECO DESIGN		DIMENSIONS (mm)			WEIGHT		ACOUSTICS dB(A)		CONDENSER / FAN					LIQUID RECEIVER	CONNECTION DIAMETERS								
CONDENSING UNIT MODEL	CONDENSING UNIT BOM	VOLTAGE (V)	I NOM. (A)	COMPRESSOR MODEL	COMPRESSOR BOM		COOLING CAPACITY (W)								Type	Cop/Seer	W (Width)	D (Depth)	H (Height)	Net (kg)	Gross (kg)	Sound pressure @10m	Sound power level	Number of fan	Fan diameter (mm)	Swept volume (m³/h)	Fan Power (W)	Voltage (V)	Internal volume (dm³)	dm³	Suction (mm)	Liquid (mm)	Suction (")	Liquid (")				
						(°C)	-35°C	-30°C	-25°C	-20°C	-15°C	-10°C	-35°C	-30°C	-25°C	-20°C	-15°C	-10°C																				
UP-NT2180GK-EAE00	503HAS6C4FI	CP: 230V-1ph-50Hz Fan: 230V-1ph-50Hz	2,4	NT2180GK-A-CSR	923HA0404AF	25	571	732	932	1168	1435	1730	556	611	674	749	837	942	-	-	982	484	600	65	83	29	60	1	350	1695	67	230/1/50	0,23	1,6	12	6	1/2	1/4
						32	487	634	812	1019	1252	1507	552	623	700	785	880	987																				
						38	412	546	705	887	1090	1313	557	638	722	811	907	1012																				
						43	-	474	616	777	956	1151	-	648	735	824	919	1019																				
UP-NT2192GK-EAE00	503EAS6C4FI	CP: 230V-1ph-50Hz Fan: 230V-1ph-50Hz	2,7	NT2192GK-A-CSR	923EA0404AF	25	615	787	992	1229	1499	1799	580	651	725	807	900	1012	-	-	982	484	600	65	83	29	60	1	350	1695	67	230/1/50	0,23	1,6	12	8	1/2	3/8
						32	522	677	859	1070	1309	1574	584	664	748	839	943	1063																				
						38	441	580	743	931	1143	1379	586	674	765	864	975	1103																				
						43	-	503	649	816	1006	1217	-	679	776	881	998	1132																				
UP-NT2212GK-EAE00	505DAS6C4FI	CP: 230V-1ph-50Hz Fan: 230V-1ph-50Hz	3,7	NT2212GK-A-CSR	925DA0204AF	25	814	1038	1314	1643	2023	2451	708	793	889	998	1121	1260	-	-	982	484	600	65	83	29	60	1	350	1523	67	230/1/50	0,45	2,3	16	8	1/2	3/8
						32	693	899	1149	1445	1785	2165	711	811	921	1043	1176	1323																				
						38	589	777	1003	1269	1572	1912	718	830	950	1079	1219	1370																				
						43	-	677	882	1121	1394	1699	-	844	970	1105	1249	1403																				
UP-NJX2219GS-EAE00	545ASS6C3FI	CP: 400V-3ph-50Hz Fan: 230V-1ph-50Hz	2,3	NJX2219GS-M	945AS2101AA	25	1118	1478	1922	2442	3030	3677	994	1128	1277	1441	1623	1821	-	-	1082	490	708	69	87	34	65	1	400	2673	120	230/1/50	0,71	3,9	16	8	3/4	3/8
						32	1016	1338	1730	2189	2706	3274	1031	1175	1334	1508	1699	1908																				
						38	896	1186	1537	1945	2405	2908	1052	1207	1377	1562	1764	1984																				
						43	783	1047	1365	1733	2146	2597	1060	1227	1408	1604	1817	2048																				
UP-SE2006GK-EAE00	5S3ACS6C4FI	CP: 230V-1ph-50Hz Fan: 230V-1ph-50Hz	5,6	SE2006GK-C	303AC1204AA	25	1316	1621	1991	2435	2959	3567	1115	1180	1253	1333	1421	1518	-	-	1082	490	708	91	109	33	64	1	400	2673	120	230/1/50	0,71	3,9	18	10	3/4	3/8
						32	1178	1460	1801	2208	2688	3245	1219	1294	1377	1469	1570	1679																				
						38	1054	1311	1621	1992	2430	2940	1341	1422	1512	1610	1718	1836																				
						43	950	1181	1462	1799	2200	2667	1466	1549	1641	1744	1856	1977																				
UP-SE2006GS-EAE00	5S3AOS6C3FI	CP: 400V-3ph-50Hz Fan: 230V-1ph-50Hz	2,4	SE2006GS-O	303AO1201AA	25	1317	1621	1992	2436	2959	3568	1106	1171	1243	1322	1410	1505	-	-	1082	490	708	88	106	33	64	1	400	2673	120	230/1/50	0,71	3,9	18	10	3/4	3/8
						32	1178	1460	1801	2209	2689	3247	1209	1284	1366	1457	1557	1665																				
						38	1055	1312	1622	1993	2432	2942	1330	1410	1499	1597	1704	1820																				
						43	950	1182	1463	1801	2201	2669	1453	1536	1628	1729	1840	1961																				
UP-SE2008GK-EAE00	5S3BCS6C4FI	CP: 230V-1ph-50Hz Fan: 230V-1ph-50Hz	7,2	SE2008GK-C	303BC1204AA	25	1650	2030	2488	3033	3671	4407	1415	1505	1606	1719	1845	1986	-	-	1082	490	708	91	109	33	64	1	400	2673	120	230/1/50	0,71	3,9	18	10	3/4	3/8
						32	1472	1821	2239	2735	3316	3984	1557	1660	1776	1904	2045	2201																				
						38	1314	1628	2006	2455	2980	3586	1722	1832	1955	2092	2242	2407																				
						43	1179	1461	1800	2205	2681	3233	1888	2001	2128	2268	2423	2592																				
UP-SE2008GS-EAE00	5S3BOS6C3FI	CP: 400V-3ph-50Hz Fan: 230V-1ph-50Hz	2,7	SE2008GS-O	303BO1201AA	25	1652	2031	2490	3036	3675	4411	1388	1476	1575	1686	1809	1946	-	-	1082	490	708	88	106	33	64	1	400	2673	120	230/1/50	0,71	3,9	18	10	3/4	3/8
						32	1474	1822	2241	2738	3320	3989	1527	1628	1741	1866	2004	2157																				
						38	1315	1630	2009	2458	2985	3592	1688	1796	1916	2050	2197	2358																				
						43	1181	1463	1803	2209	2686	3240	1851	1961	2085	2222	2374	2539																				
UP-SE2010GK-EAE00	5S3CCS6C4FI	CP: 230V-1ph-50Hz Fan: 230V-1ph-50Hz	8,4	SE2010GK-C	303CC1204AA	25	1911	2346	2871	3491	4212	5037	1650	1761	1886	2028	2188	2367	-	-	1082	490	708	91	109	33	64	1	400	2673	120	230/1/50	0,71	3,9	18	10	3/4	3/8
						32	1700	2098	2574	3135	3786	4530	1825	1951	2093	2252	2429	2625																				
						38	1513	1870	2297	2800	3386	4057	2024	2158	2309	2478	2664	2869																				
						43	1355	1673	2053	2504	3031	3638	2224	2361	2516	2688	2878	3087																				
UP-SE2010GS-EAE00	5S3COS6C3FI	CP: 400V-3ph-50Hz Fan: 230V-1ph-50Hz	4,3	SE2010GS-O	303CO1201AA	25	1913	2349	2874	3495	4217	5044	1613	1722	1844	1982	2138	2312	-	-	1082	490	708	89	107	33	64	1	400	2673	120	230/1/50	0,71	3,9	18	10	3/4	3/8
						32	1703	2101	2578	3140	3792	4538	1783	1906	2045	2200	2372	2563																				
						38	1516	1874	2302	2806	3394	4067	1977	2108	2256	2420	2602	2801																				
						43	1358	1677	2058	2511	3040	3650	2172	2305	2456	2624	2810	3014																				
UP-SE2012GS-EAE00	5S3GOS6C3FI	CP: 400V-3ph-50Hz Fan: 230V-1ph-50Hz	5,4	SE2012GS-O	303GO1201AA	25	2562	3155	3876	4739	5758	6942	2105	2229	2366	2518	2685	2868	-	-	1277	538	1005	117	139	36	67	1	500	5195	220	230/1/50	1,34	6	22	12	7/8	1/2
						32	2293	2842	3505	4298	5233	6318	2302	2444	2602	2775	2966	3173																				
						38	2052	2553	3157	3880	4733	5726	2533	2686	2855	3042	3247	3469																				
						43	1849	2301	2848	3505	4285	5197	2768	2925	3101	3295	3507	3737																				
UP-SE2014GS-EAE00	5S3DOS6C3FI	CP: 400V-3ph-50Hz Fan: 230V-1ph-50Hz	5,2	SE2014GS-O	303DO1201AA	25	2965	3649	4477	5466	6627	7971	2238	2375	2528	2697	2885	3094	-	-	1277	538	1005	118	140	36	67	1	500	5195	220	230/1/50	1,34	6	22	12	7/8	1/2
						32	2651	3282	4042	4947	6009	7237	2453	2610	2784	2977	3190	3423																				
						38	2372	2945	3635	4457	5424	6544	2703	2871	3058	3264	3492	3740																				
						43	2135	2651	3275	4021	4902	5927	2956	3128	3321	3535	3769	4025																				
UP-SE2017GS-EAE00	5S3EOS6C3FI	CP: 400V-3ph-50Hz Fan: 230V-1ph-50Hz	6,3	SE2017GS-O	303EO1201AA	25	3475	4270	5230	6371	7704	9235	2562	2727	2913	3121	3354	3615	-	-	1277	538	1005	118	140	36	67	1	500	5195	220	230/1/50	1,34	6	22	12	7/8	1/2
						32	3101	3832	4709	5748	6959	8350	2819	3007	3218	3453	3714	4002																				
						38	2769	3430	4223	5161	6258	7521	3115	3316	3541	3791	4067	4370																				
						43	2489	3081	3793	4640	5635	6786	3412	3618	3849	4106	4390	4700																				
UP-SE2020GS-EAE00	5S3FOS6C3FI	CP: 400V-3ph-50Hz Fan: 230V-1ph-50Hz	6,9	SE2020GS-O	303FO1201AA	25	4012	4923	6018	7311	8811	10521	2977	3179	3409	3670	3963	4294	-	-	1277	538	1005	120	142	36	67	1	500	5195	220	230/1/50	1,34	6	22	12	7/8	1/2
						32	3573	4406	5399	6569	7923	9467	3290	3520	3779	4070	4394	4754																				
						38	3183	3932	4824	5874	7094	8487	3645	3890	4165	4472	4813	5188																				
						43	2854	3521	4318	5260	6359	7621	4000	4250	4531	4845	5193	5574																				

R449A - LBP - RTG20

CONDENSING UNITS				COMPRESSORS		AMBIENT TEMP. (°C)	EN13215 - SUBCOOLING OK - MID POINT						INPUT POWER (W)		ECO DESIGN		DIMENSIONS (mm)			WEIGHT		ACOUSTICS dB(A)		CONDENSER / FAN					LIQUID RECEIVER	CONNECTION DIAMETERS									
CONDENSING UNIT MODEL	CONDENSING UNIT BOM	VOLTAGE (V)	I NOM. (A)	COMPRESSOR MODEL	COMPRESSOR BOM		COOLING CAPACITY (W)						-35°C	-30°C	-25°C	-20°C	Type	Cop/Seer	W (Width)	D (Depth)	H (Height)	Net (kg)	Gross (kg)	Sound pressure @10m	Sound power level	Number of fan	Fan diameter (mm)	Swept volume (m³/h)	Fan Power (W)	Voltage (V)	Internal volume (dm³)	dm³	Suction (mm)	Liquid (mm)	Suction (")	Liquid (")			
UP-SE2006GK-EAE00	5S3ACS6C4FI	CP: 230V-1ph-50Hz Fan: 230V-1ph-50Hz	5,6	SE2006GK-C	303AC1204AA	25	1341	1689	2087	2543	3064	3656	1062	1131	1206	1286		1372	1463	COP	1,06	1082	490	708	91	109	33	64	1	400	2673	120	230/1/50	0,71	3,9	18	10	3/4	3/8
						32	1270	1575	1931	2343	2820	3366	1185	1259	1341	1431		1527	1629																				
						38	1195	1469	1790	2168	2609	3120	1323	1401	1488	1585		1690	1804																				
						43	1125	1373	1669	2020	2434	2917	1469	1550	1643	1745		1858	1981																				
UP-SE2006GS-EAE00	5S3AOS6C3FI	CP: 400V-3ph-50Hz Fan: 230V-1ph-50Hz	2,4	SE2006GS-O	303A01201AA	25	1341	1689	2087	2544	3065	3657	1054	1122	1196	1276		1361	1451	COP	1,06	1082	490	708	88	106	33	64	1	400	2673	120	230/1/50	0,71	3,9	18	10	3/4	3/8
						32	1270	1576	1931	2344	2820	3367	1176	1249	1331	1419		1514	1615																				
						38	1196	1469	1791	2169	2610	3121	1312	1389	1476	1572		1676	1788																				
						43	1125	1374	1670	2021	2435	2918	1457	1537	1629	1731		1842	1964																				
UP-SE2008GK-EAE00	5S3BCS6C4FI	CP: 230V-1ph-50Hz Fan: 230V-1ph-50Hz	7,2	SE2008GK-C	303BC1204AA	25	1698	2128	2618	3177	3812	4530	1352	1446	1550	1663		1785	1916	COP	1,04	1082	490	708	91	109	33	64	1	400	2673	120	230/1/50	0,71	3,9	18	10	3/4	3/8
						32	1603	1980	2417	2921	3501	4165	1519	1620	1734	1859		1996	2144																				
						38	1504	1841	2235	2696	3233	3853	1706	1814	1936	2072		2223	2388																				
						43	1411	1716	2077	2506	3008	3593	1907	2020	2150	2296		2459	2639																				
UP-SE2008GS-EAE00	5S3BOS6C3FI	CP: 400V-3ph-50Hz Fan: 230V-1ph-50Hz	2,7	SE2008GS-O	303B01201AA	25	1698	2129	2620	3179	3815	4534	1327	1419	1520	1631		1750	1878	COP	1,06	1082	490	708	88	106	33	64	1	400	2673	120	230/1/50	0,71	3,9	18	10	3/4	3/8
						32	1604	1981	2418	2923	3504	4169	1489	1589	1700	1822		1956	2101																				
						38	1506	1842	2237	2699	3237	3857	1672	1777	1897	2030		2177	2339																				
						43	1412	1717	2080	2509	3012	3598	1869	1979	2106	2248		2407	2584																				
UP-SE2010GK-EAE00	5S3CCS6C4FI	CP: 230V-1ph-50Hz Fan: 230V-1ph-50Hz	8,4	SE2010GK-C	303CC1204AA	25	1981	2473	3032	3667	4386	5196	1581	1697	1825	1966		2120	2288	COP	1,03	1082	490	708	91	109	33	64	1	400	2673	120	230/1/50	0,71	3,9	18	10	3/4	3/8
						32	1865	2296	2793	3365	4022	4770	1783	1908	2049	2206		2379	2570																				
						38	1746	2129	2577	3100	3707	4405	2013	2146	2299	2470		2662	2876																				
						43	1633	1979	2390	2874	3442	4100	2262	2402	2565	2749		2958	3193																				
UP-SE2010GS-EAE00	5S3COS6C3FI	CP: 400V-3ph-50Hz Fan: 230V-1ph-50Hz	4,3	SE2010GS-O	303CO1201AA	25	1982	2475	3035	3670	4390	5201	1546	1659	1784	1921		2071	2235	COP	1,06	1082	490	708	89	107	33	64	1	400	2673	120	230/1/50	0,71	3,9	18	10	3/4	3/8
						32	1867	2298	2796	3369	4027	4776	1743	1865	2002	2155		2323	2509																				
						38	1748	2132	2581	3105	3713	4412	1966	2096	2245	2412		2598	2806																				
						43	1635	1982	2394	2880	3448	4108	2208	2344	2503	2682		2886	3114																				
UP-SE2012GS-EAE00	5S3GOS6C3FI	CP: 400V-3ph-50Hz Fan: 230V-1ph-50Hz	5,4	SE2012GS-O	303GO1201AA	25	2609	3286	4063	4951	5966	7119	2004	2134	2276	2428		2590	2761	SEPR	1,64	1277	538	1005	117	139	36	67	1	500	5195	220	230/1/50	1,34	6	22	12	7/8	1/2
						32	2471	3067	3759	4563	5491	6556	2237	2377	2532	2701		2882	3075																				
						38	2327	2860	3487	4223	5083	6078	2496	2644	2810	2992		3191	3405																				
						43	2190	2674	3251	3935	4741	5683	2773	2926	3100	3294		3508	3740																				
UP-SE2014GS-EAE00	5S3DOS6C3FI	CP: 400V-3ph-50Hz Fan: 230V-1ph-50Hz	5,2	SE2014GS-O	303DO1201AA	25	3033	3811	4701	5717	6873	8183	2135	2278	2435	2605		2787	2981	SEPR	1,68	1277	538	1005	118	140	36	67	1	500	5195	220	230/1/50	1,34	6	22	12	7/8	1/2
						32	2869	3553	4347	5265	6323	7535	2388	2542	2713	2901		3105	3324																				
						38	2699	3311	4029	4870	5850	6983	2669	2832	3016	3220		3443	3686																				
						43	2538	3093	3753	4535	5455	6526	2970	3140	3334	3551		3791	4055																				
UP-SE2017GS-EAE00	5S3EOS6C3FI	CP: 400V-3ph-50Hz Fan: 230V-1ph-50Hz	6,3	SE2017GS-O	303EO1201AA	25	3577	4481	5509	6679	8006	9504	2449	2622	2812	3020		3245	3488	SEPR	1,73	1277	538	1005	118	140	36	67	1	500	5195	220	230/1/50	1,34	6	22	12	7/8	1/2
						32	3378	4171	5087	6144	7358	8744	2749	2935	3143	3373		3625	3899																				
						38	3172	3879	4707	5675	6799	8095	3085	3282	3506	3757		4034	4339																				
						43	2976	3618	4378	5277	6331	7556	3446	3652	3889	4157		4457	4790																				
UP-SE2020GS-EAE00	5S3FOS6C3FI	CP: 400V-3ph-50Hz Fan: 230V-1ph-50Hz	6,9	SE2020GS-O	303FO1201AA	25	4162	5194	6362	7687	9184	10869	2854	3064	3299	3557		3840	4150	SEPR	1,73	1277	538	1005	120	142	36	67	1	500	5195	220	230/1/50	1,34	6	22	12	7/8	1/2
						32	3921	4824	5864	7060	8429	9987	3215	3443	3701	3987		4305	4656																				
						38	3673	4476	5415	6509	7776	9232	3625	3868	4146	4460		4811	5204																				
						43	3437	4165	5026	6041	7228	8603	4067	4323	4619	4956		5338	5769																				

Note: Subject to alteration without previous notice

R449A - LBP - SH10K

CONDENSING UNITS				COMPRESSORS		AMBIENT TEMP.	EN13215 - SUBCOOLING 0K - MID POINT						INPUT POWER (W)						ECO DESIGN		DIMENSIONS (mm)			WEIGHT		ACOUSTICS dB(A)		CONDENSER / FAN					LIQUID RECEIVER	CONNECTION DIAMETERS					
CONDENSING UNIT MODEL	CONDENSING UNIT BOM	VOLTAGE (V)	I NOM. (A)	COMPRESSOR MODEL	COMPRESSOR BOM		COOLING CAPACITY (W)												Type	Cop/Seer	W (Width)	D (Depth)	H (Height)	Net (kg)	Gross (kg)	Sound pressure @10m	Sound power level	Number of fan	Fan diameter (mm)	Swept volume (m³/h)	Fan Power (W)	Voltage (V)	Internal volume (dm³)	dm³	Suction (mm)	Liquid (mm)	Suction (")	Liquid (")	
UP-SE2006GK-EAE00	5S3ACS6C4FI	CP: 230V-1ph-50Hz Fan: 230V-1ph-50Hz	5,6	SE2006GK-C	303AC1204AA	25	1286	1632	2030	2488	3013	3611	1068	1132	1203	1280		1363	1452	-	-	1082	490	708	91	109	33	64	1	400	2673	120	230/1/50	0,71	3,9	18	10	3/4	3/8
						32	1212	1512	1864	2274	2750	3300	1178	1249	1329	1417		1512	1615																				
						38	1121	1387	1703	2078	2518	3031	1315	1390	1476	1571		1675	1789																				
						43	1034	1275	1566	1913	2327	2813	1461	1538	1627	1728		1839	1960																				
UP-SE2006GS-EAE00	5S3AOS6C3FI	CP: 400V-3ph-50Hz Fan: 230V-1ph-50Hz	2,4	SE2006GS-O	303AO1201AA	25	1286	1632	2030	2488	3013	3612	1060	1124	1194	1270		1352	1441	-	-	1082	490	708	88	106	33	64	1	400	2673	120	230/1/50	0,71	3,9	18	10	3/4	3/8
						32	1213	1513	1864	2275	2751	3301	1168	1239	1318	1405		1500	1602																				
						38	1121	1387	1704	2078	2519	3032	1304	1379	1463	1558		1661	1774																				
						43	1035	1276	1566	1914	2328	2814	1449	1526	1614	1713		1823	1943																				
UP-SE2008GK-EAE00	5S3BCS6C4FI	CP: 400V-3ph-50Hz Fan: 230V-1ph-50Hz	7,2	SE2008GK-C	303BC1204AA	25	1630	2057	2546	3105	3743	4467	1355	1443	1541	1650		1769	1899	-	-	1082	490	708	91	109	33	64	1	400	2673	120	230/1/50	0,71	3,9	18	10	3/4	3/8
						32	1527	1896	2326	2826	3405	4070	1507	1605	1716	1839		1976	2125																				
						38	1405	1731	2118	2574	3110	3732	1694	1798	1917	2051		2200	2364																				
						43	1292	1587	1942	2367	2870	3461	1893	2000	2124	2265		2423	2599																				
UP-SE2008GS-EAE00	5S3BOS6C3FI	CP: 400V-3ph-50Hz Fan: 230V-1ph-50Hz	2,7	SE2008GS-O	303BO1201AA	25	1631	2058	2548	3107	3746	4470	1329	1415	1512	1618		1734	1861	-	-	1082	490	708	88	106	33	64	1	400	2673	120	230/1/50	0,71	3,9	18	10	3/4	3/8
						32	1528	1897	2328	2829	3408	4075	1478	1574	1682	1803		1936	2082																				
						38	1406	1733	2120	2577	3113	3737	1661	1762	1879	2009		2155	2315																				
						43	1293	1590	1945	2370	2874	3466	1855	1959	2081	2218		2373	2545																				
UP-SE2010GK-EAE00	5S3CCS6C4FI	CP: 230V-1ph-50Hz Fan: 230V-1ph-50Hz	8,4	SE2010GK-C	303CC1204AA	25	1903	2391	2946	3580	4300	5114	1580	1688	1810	1946		2098	2265	-	-	1082	490	708	91	109	33	64	1	400	2673	120	230/1/50	0,71	3,9	18	10	3/4	3/8
						32	1773	2193	2681	3248	3901	4650	1769	1889	2027	2181		2354	2545																				
						38	1625	1997	2435	2952	3557	4259	1998	2126	2274	2441		2629	2839																				
						43	1491	1827	2230	2711	3281	3949	2241	2373	2527	2704		2904	3129																				
UP-SE2010GS-EAE00	5S3COS6C3FI	CP: 400V-3ph-50Hz Fan: 230V-1ph-50Hz	4,3	SE2010GS-O	303CO1201AA	25	1904	2392	2949	3584	4305	5120	1545	1651	1770	1903		2050	2213	-	-	1082	490	708	89	107	33	64	1	400	2673	120	230/1/50	0,71	3,9	18	10	3/4	3/8
						32	1774	2196	2685	3252	3907	4657	1729	1846	1980	2131		2299	2485																				
						38	1627	1999	2439	2957	3563	4266	1951	2076	2220	2383		2566	2771																				
						43	1494	1830	2234	2716	3287	3957	2188	2316	2467	2639		2833	3052																				
UP-SE2012GS-EAE00	5S3GOS6C3FI	CP: 400V-3ph-50Hz Fan: 230V-1ph-50Hz	5,4	SE2012GS-O	303GO1201AA	25	2502	3176	3951	4843	5866	7032	2016	2138	2272	2417		2574	2742	-	-	1277	538	1005	117	139	36	67	1	500	5195	220	230/1/50	1,34	6	22	12	7/8	1/2
						32	2360	2944	3629	4428	5357	6428	2223	2358	2509	2675		2855	3050																				
						38	2182	2701	3317	4047	4905	5906	2481	2624	2785	2965		3163	3377																				
						43	2014	2484	3050	3728	4534	5482	2757	2904	3072	3261		3470	3700																				
UP-SE2014GS-EAE00	5S3DOS6C3FI	CP: 400V-3ph-50Hz Fan: 230V-1ph-50Hz	5,2	SE2014GS-O	303DO1201AA	25	2911	3684	4572	5591	6754	8077	2144	2277	2426	2589		2765	2957	-	-	1277	538	1005	118	140	36	67	1	500	5195	220	230/1/50	1,34	6	22	12	7/8	1/2
						32	2737	3408	4191	5103	6161	7377	2371	2520	2687	2872		3074	3295																				
						38	2528	3122	3827	4660	5638	6776	2652	2809	2988	3189		3410	3653																				
						43	2331	2870	3517	4292	5211	6291	2951	3113	3299	3510		3745	4004																				
UP-SE2017GS-EAE00	5S3EOS6C3FI	CP: 400V-3ph-50Hz Fan: 230V-1ph-50Hz	6,3	SE2017GS-O	303EO1201AA	25	3436	4332	5357	6527	7859	9368	2453	2614	2794	2994		3214	3456	-	-	1277	538	1005	118	140	36	67	1	500	5195	220	230/1/50	1,34	6	22	12	7/8	1/2
						32	3217	3993	4895	5943	7153	8543	2728	2907	3110	3337		3588	3864																				
						38	2962	3649	4461	5418	6538	7840	3063	3253	3471	3716		3990	4293																				
						43	2727	3349	4095	4986	6041	7279	3419	3615	3842	4100		4390	4714																				
UP-SE2020GS-EAE00	5S3FOS6C3FI	CP: 400V-3ph-50Hz Fan: 230V-1ph-50Hz	6,9	SE2020GS-O	303FO1201AA	25	3999	5020	6182	7504	9002	10694	2850	3047	3271	3521		3799	4108	-	-	1277	538	1005	120	142	36	67	1	500	5195	220	230/1/50	1,34	6	22	12	7/8	1/2
						32	3726	4607	5629	6812	8174	9734	3188	3408	3659	3942		4258	4610																				
						38	3419	4198	5117	6199	7462	8925	3597	3830	4099	4405		4750	5135																				
						43	3140	3846	4692	5699	6891	8287	4028	4269	4550	4872		5238	5650																				

Note: Subject to alteration without previous notice

R404A - LBP - RTG20

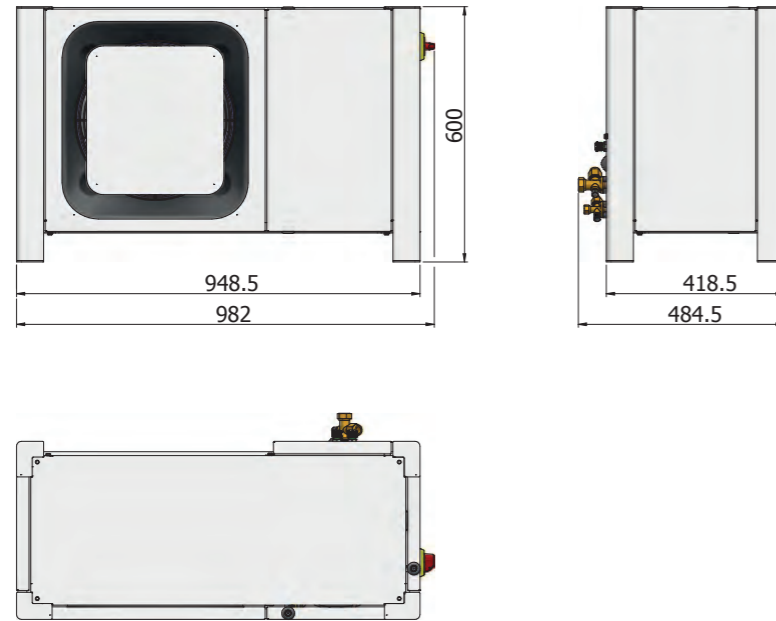
CONDENSING UNITS				COMPRESSORS		AMBIENT TEMP. (°C)	EN13215 - SUBCOOLING 0K - MID POINT						INPUT POWER (W)				ECO DESIGN		DIMENSIONS (mm)			WEIGHT		ACOUSTICS dB(A)		CONDENSER / FAN					LIQUID RECEIVER	CONNECTION DIAMETERS						
CONDENSING UNIT MODEL	CONDENSING UNIT BOM	VOLTAGE (V)	I NOM. (A)	COMPRESSOR MODEL	COMPRESSOR BOM		-35°C	-30°C	-25°C	-20°C	-15°C	-10°C	-35°C	-30°C	-25°C	-20°C	-15°C	-10°C	Type	Cop/Seer	W (Width)	D (Depth)	H (Height)	Net (kg)	Gross (kg)	Sound pressure @10m	Sound power level	Number of fan	Fan diameter (mm)	Swept volume (m³/h)	Fan Power (W)	Voltage (V)	Internal volume (dm³)	dm³	Suction (mm)	Liquid (mm)	Suction (")	Liquid (")
UP-NT2180GK-EAE00	503HA56C4FI	CP: 230V-1ph-50Hz Fan: 230V-1ph-50Hz	2,4	NT2180GK-A-CSR	923HA0404AF	25	632	803	1009	1245	1504	1780	567	622	683	753	835	930	COP	0,97	982	484	600	65	83	29	60	1	350	1695	67	230/1/50	0,23	1,6	12	6	1/2	1/4
						32	554	712	898	1107	1334	1572	569	638	711	791	881	980																				
						38	488	634	801	987	1185	1392	575	653	734	820	914	1015																				
						43	-	568	720	885	1060	1240	-	666	752	842	937	1039																				
UP-NT2192GK-EAE00	503EA56C4FI	CP: 230V-1ph-50Hz Fan: 230V-1ph-50Hz	2,7	NT2192GK-A-CSR	923EA0404AF	25	681	866	1078	1315	1574	1851	590	663	736	813	899	999	COP	0,99	982	484	600	65	83	29	60	1	350	1695	67	230/1/50	0,23	1,6	12	8	1/2	3/8
						32	594	762	953	1165	1396	1643	600	679	760	846	942	1054																				
						38	523	675	847	1038	1244	1462	605	691	780	875	982	1106																				
						43	-	604	760	931	1116	1311	-	700	796	901	1018	1152																				
UP-NT2212GK-EAE00	505DA56C4FI	CP: 230V-1ph-50Hz Fan: 230V-1ph-50Hz	3,7	NT2212GK-A-CSR	925DA0204AF	25	903	1140	1423	1750	2112	2504	719	805	899	1004	1119	1245	COP	1,08	982	484	600	65	83	29	60	1	350	1523	67	230/1/50	0,45	2,3	16	8	1/2	3/8
						32	786	1005	1265	1562	1889	2239	731	827	933	1048	1174	1310																				
						38	694	896	1133	1402	1696	2010	741	848	964	1089	1224	1369																				
						43	-	807	1025	1268	1534	1815	-	867	991	1124	1267	1420																				
UP-NJX2219GS-EAE00	545AS56C3FI	CP: 400V-3ph-50Hz Fan: 230V-1ph-50Hz	2,3	NJX2219GS-M	945AS2101AA	25	1335	1714	2165	2681	3252	3870	1047	1180	1322	1477	1644	1825	COP	1,12	1082	490	708	69	87	34	65	1	400	2673	120	230/1/50	0,71	3,9	16	8	3/4	3/8
						32	1213	1553	1957	2417	2925	3472	1083	1227	1382	1549	1731	1928																				
						38	1092	1401	1766	2179	2635	3123	1109	1264	1431	1612	1807	2019																				
						43	-	1266	1599	1976	2388	2829	-	1291	1469	1662	1870	2095																				
UP-SE2006GK-EAE00	553AC56C4FI	CP: 230V-1ph-50Hz Fan: 230V-1ph-50Hz	5,6	SE2006GK-C	303AC1204AA	25	1440	1779	2178	2633	3145	3710	1113	1185	1265	1352	1445	1546	COP	1,07	1082	490	708	91	109	33	64	1	400	2673	120	230/1/50	0,71	3,9	18	10	3/4	3/8
						32	1321	1631	1993	2406	2868	3376	1235	1313	1399	1491	1591	1698																				
						38	1209	1491	1819	2192	2609	3068	1358	1441	1532	1631	1736	1850																				
						43	1113	1370	1667	2005	2383	2799	1487	1575	1670	1773	1884	2003																				
UP-SE2006GS-EAE00	553A056C3FI	CP: 400V-3ph-50Hz Fan: 230V-1ph-50Hz	2,4	SE2006GS-O	303A01201AA	25	1440	1780	2178	2634	3146	3711	1104	1176	1255	1341	1434	1533	COP	1,08	1082	490	708	88	106	33	64	1	400	2673	120	230/1/50	0,71	3,9	18	10	3/4	3/8
						32	1321	1632	1994	2407	2869	3378	1225	1303	1387	1479	1578	1684																				
						38	1209	1491	1820	2193	2610	3070	1347	1430	1520	1617	1722	1834																				
						43	1114	1370	1668	2006	2385	2801	1475	1561	1656	1758	1868	1986																				
UP-SE2008GK-EAE00	553BC56C4FI	CP: 230V-1ph-50Hz Fan: 230V-1ph-50Hz	7,2	SE2008GK-C	303BC1204AA	25	1812	2233	2723	3280	3899	4575	1422	1521	1631	1751	1881	2022	COP	1,05	1082	490	708	91	109	33	64	1	400	2673	120	230/1/50	0,71	3,9	18	10	3/4	3/8
						32	1656	2038	2481	2982	3536	4140	1581	1689	1807	1935	2074	2225																				
						38	1511	1857	2255	2705	3202	3742	1748	1862	1988	2125	2274	2434																				
						43	1389	1701	2060	2464	2911	3396	1925	2046	2179	2323	2480	2649																				
UP-SE2008GS-EAE00	553B056C3FI	CP: 400V-3ph-50Hz Fan: 230V-1ph-50Hz	2,7	SE2008GS-O	303B01201AA	25	1813	2234	2725	3283	3902	4579	1394	1492	1599	1717	1844	1982	COP	1,07	1082	490	708	88	106	33	64	1	400	2673	120	230/1/50	0,71	3,9	18	10	3/4	3/8
						32	1657	2040	2484	2985	3540	4146	1551	1656	1771	1897	2033	2180																				
						38	1512	1859	2258	2708	3206	3748	1713	1825	1949	2083	2228	2384																				
						43	1390	1703	2063	2468	2916	3403	1886	2005	2134	2276	2429	2594																				
UP-SE2010GK-EAE00	553CC56C4FI	CP: 230V-1ph-50Hz Fan: 230V-1ph-50Hz	8,4	SE2010GK-C	303CC1204AA	25	2103	2586	3145	3775	4470	5222	1665	1787	1922	2070	2232	2408	COP	1,03	1082	490	708	91	109	33	64	1	400	2673	120	230/1/50	0,71	3,9	18	10	3/4	3/8
						32	1916	2353	2855	3418	4037	4705	1855	1987	2133	2292	2466	2654																				
						38	1744	2137	2587	3090	3641	4235	2058	2200	2356	2527	2713	2914																				
						43	1601	1954	2356	2806	3298	3827	2277	2427	2593	2774	2971	3184																				
UP-SE2010GS-EAE00	553C056C3FI	CP: 400V-3ph-50Hz Fan: 230V-1ph-50Hz	4,3	SE2010GS-O	303C01201AA	25	2105	2588	3148	3779	4475	5229	1628	1747	1879	2023	2181	2353	COP	1,06	1082	490	708	89	107	33	64	1	400	2673	120	230/1/50	0,71	3,9	18	10	3/4	3/8
						32	1918	2356	2859	3423	4044	4714	1813	1942	2084	2239	2408	2592																				
						38	1747	2141	2591	3096	3649	4245	2010	2149	2301	2467	2648	2844																				
						43	1604	1958	2362	2813	3307	3838	2223	2369	2531	2707	2898	3106																				
UP-SE2012GS-EAE00	553G056C3FI	CP: 400V-3ph-50Hz Fan: 230V-1ph-50Hz	5,4	SE2012GS-O	303G01201AA	25	2802	3462	4238	5125	6121	7221	2101	2238	2389	2553	2731	2921	SEPR	1,8	1277	538	1005	117	139	36	67	1	500	5195	220	230/1/50	1,34	6	22	12	7/8	1/2
						32	2571	3175	3880	4684	5583	6574	2332	2480	2642	2817	3006	3209																				
						38	2353	2902	3542	4269	5081	5975	2564	2723	2895	3081	3281	3496																				
						43	2167	2667	3247	3906	4642	5452	2808	2974	3154	3350	3560	3784																				
UP-SE2014GS-EAE00	553D056C3FI	CP: 400V-3ph-50Hz Fan: 230V-1ph-50Hz	5,2	SE2014GS-O	303D01201AA	25	3248	4008	4897	5910	7041	8283	2241	2393	2559	2741	2939	3152	SEPR	1,95	1277	538	1005	118	140	36	67	1	500	5195	220	230/1/50	1,34	6	22	12	7/8	1/2
						32	2977	3670	4476	5390	6409	7524	2488	2651	2830	3024	3234	3461																				
						38	2721	3351	4080	4906	5823	6827	2740	2914	3104	3311	3534	3773																				
						43	2506	3077	3737	4484	5314	6221	3005	3188	3388	3605	3839	4091																				
UP-SE2017GS-EAE00	553E056C3FI	CP: 400V-3ph-50Hz Fan: 230V-1ph-50Hz	6,3	SE2017GS-O	303E01201AA	25	3815	4698	5725	6888	8178	9583	2576	2759	2960	3181	3421	3682	SEPR	1,98	1277	538	1005	118	140	36	67	1	500	5195	220	230/1/50	1,34	6	22	12	7/8	1/2
						32	3488	4290	5217	6263	7419	8675	2864	3060	3276	3512	3768	4045																				
						38	3184	3910	4745	5685	6722	7846	3162	3372	3603	3854	4127	4422																				
						43	2928	3585	4338	5184	6117	7129	3480	3702	3945	4210	4497	4807																				
UP-SE2020GS-EAE00	553F056C3FI	CP: 400V-3ph-50Hz Fan: 230V-1ph-50Hz	6,9	SE2020GS-O	303F01201AA	25	4416	5425	6591	7903	9346	10904	3006	3229	3476	3748	4045	4369	SEPR	1,95	1277	538	1005	120	142	36	67	1	500	5195	220	230/1/50	1,34	6	22	12	7/8	1/2
						32	4025	4938	5987	7160	8446	9830	3347	3587	3853	4145	4463	4809																				

R404A - LBP - SH10K

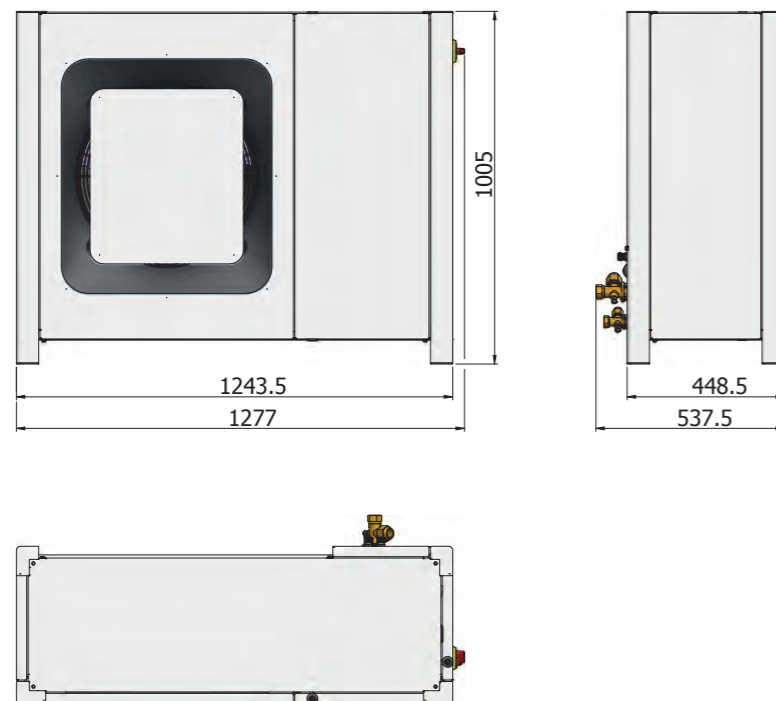
CONDENSING UNITS				COMPRESSORS		AMBIENT TEMP. (°C)	EN13215 - SUBCOOLING OK - MID POINT								ECO DESIGN		DIMENSIONS (mm)			WEIGHT		ACOUSTICS dB(A)		CONDENSER / FAN					LIQUID RECEIVER	CONNECTION DIAMETERS								
CONDENSING UNIT MODEL	CONDENSING UNIT BOM	VOLTAGE (V)	I NOM. (A)	COMPRESSOR MODEL	COMPRESSOR BOM		COOLING CAPACITY (W)								Type	Cop/Seer	W (Width)	D (Depth)	H (Height)	Net (kg)	Gross (kg)	Sound pressure @10m	Sound power level	Number of fan	Fan diameter (mm)	Swept volume (m³/h)	Fan Power (W)	Voltage (V)	Internal volume (dm³)	dm³	Suction (mm)	Liquid (mm)	Suction (")	Liquid (")				
UP-NT2180GK-EAE00	503HAS6C4FI	CP: 230V-1ph-50Hz Fan: 230V-1ph-50Hz	2,4	NT2180GK-A-CSR	923HA0404AF	25	562	729	931	1165	1425	1705	569	619	676	742	821	915	-	-	982	484	600	65	83	29	60	1	350	1695	67	230/1/50	0,23	1,6	12	6	1/2	1/4
						32	492	640	818	1021	1246	1487	562	627	698	777	865	965																				
						38	421	555	712	891	1087	1298	566	642	721	806	898	1000																				
						43	-	482	623	782	957	1143	-	655	739	826	920	1021																				
UP-NT2192GK-EAE00	503EAS6C4FI	CP: 230V-1ph-50Hz Fan: 230V-1ph-50Hz	2,7	NT2192GK-A-CSR	923EA0404AF	25	607	787	995	1230	1490	1771	585	655	726	801	886	984	-	-	982	484	600	65	83	29	60	1	350	1695	67	230/1/50	0,23	1,6	12	8	1/2	3/8
						32	527	684	867	1073	1302	1550	592	669	747	831	926	1036																				
						38	451	590	752	935	1139	1360	597	680	766	859	963	1084																				
						43	-	512	657	822	1005	1205	-	688	781	882	995	1127																				
UP-NT2212GK-EAE00	505DAS6C4FI	CP: 230V-1ph-50Hz Fan: 230V-1ph-50Hz	3,7	NT2212GK-A-CSR	925DA0204AF	25	801	1032	1312	1637	2002	2402	715	797	889	990	1104	1229	-	-	982	484	600	65	83	29	60	1	350	1523	67	230/1/50	0,45	2,3	16	8	1/2	3/8
						32	699	906	1155	1444	1767	2123	722	815	918	1031	1155	1290																				
						38	601	787	1010	1269	1559	1876	730	834	947	1069	1202	1346																				
						43	-	688	890	1123	1385	1672	-	851	972	1102	1242	1393																				
UP-NJX2219GS-EAE00	545ASS6C3FI	CP: 400V-3ph-50Hz Fan: 230V-1ph-50Hz	2,3	NJX2219GS-M	945AS2101AA	25	1214	1575	2010	2516	3086	3714	1036	1166	1306	1457	1623	1803	-	-	1082	490	708	69	87	34	65	1	400	2673	120	230/1/50	0,71	3,9	16	8	3/4	3/8
						32	1074	1395	1782	2231	2737	3294	1070	1210	1361	1525	1704	1900																				
						38	942	1229	1575	1976	2428	2926	1093	1244	1407	1583	1776	1985																				
						43	825	1084	1397	1759	2167	2615	1107	1268	1442	1630	1834	2057																				
UP-SE2006GK-EAE00	5S3ACS6C4FI	CP: 230V-1ph-50Hz Fan: 230V-1ph-50Hz	5,6	SE2006GK-C	303AC1204AA	25	1300	1627	2017	2469	2984	3561	1123	1188	1260	1340	1429	1526	-	-	1082	490	708	91	109	33	64	1	400	2673	120	230/1/50	0,71	3,9	18	10	3/4	3/8
						32	1169	1464	1815	2221	2684	3203	1212	1287	1369	1459	1558	1667																				
						38	1040	1305	1620	1986	2403	2872	1328	1409	1497	1594	1700	1816																				
						43	928	1166	1450	1781	2159	2585	1455	1538	1630	1731	1842	1961																				
UP-SE2006GS-EAE00	5S3AOS6C3FI	CP: 400V-3ph-50Hz Fan: 230V-1ph-50Hz	2,4	SE2006GS-O	303AO1201AA	25	1300	1628	2017	2470	2985	3562	1114	1179	1250	1329	1417	1514	-	-	1082	490	708	88	106	33	64	1	400	2673	120	230/1/50	0,71	3,9	18	10	3/4	3/8
						32	1169	1465	1815	2222	2685	3204	1203	1276	1358	1447	1546	1653																				
						38	1040	1306	1621	1987	2404	2873	1318	1397	1485	1581	1686	1800																				
						43	928	1167	1451	1782	2160	2586	1443	1525	1617	1717	1826	1945																				
UP-SE2008GK-EAE00	5S3BCS6C4FI	CP: 230V-1ph-50Hz Fan: 230V-1ph-50Hz	7,2	SE2008GK-C	303BC1204AA	25	1633	2038	2516	3067	3689	4379	1422	1511	1611	1722	1847	1986	-	-	1082	490	708	91	109	33	64	1	400	2673	120	230/1/50	0,71	3,9	18	10	3/4	3/8
						32	1460	1823	2250	2742	3297	3914	1547	1649	1762	1888	2027	2179																				
						38	1293	1617	1999	2439	2936	3489	1706	1816	1938	2072	2220	2382																				
						43	1149	1439	1781	2176	2624	3124	1877	1991	2118	2258	2411	2578																				
UP-SE2008GS-EAE00	5S3BOS6C3FI	CP: 400V-3ph-50Hz Fan: 230V-1ph-50Hz	2,7	SE2008GS-O	303BO1201AA	25	1634	2040	2518	3070	3693	4384	1395	1482	1580	1689	1811	1947	-	-	1082	490	708	88	106	33	64	1	400	2673	120	230/1/50	0,71	3,9	18	10	3/4	3/8
						32	1462	1825	2253	2746	3302	3919	1517	1617	1728	1851	1986	2136																				
						38	1295	1620	2002	2443	2941	3495	1672	1780	1899	2031	2175	2334																				
						43	1151	1442	1785	2181	2630	3131	1839	1951	2075	2212	2362	2525																				
UP-SE2010GK-EAE00	5S3CCS6C4FI	CP: 230V-1ph-50Hz Fan: 230V-1ph-50Hz	8,4	SE2010GK-C	303CC1204AA	25	1892	2356	2900	3523	4220	4987	1655	1764	1888	2027	2183	2358	-	-	1082	490	708	91	109	33	64	1	400	2673	120	230/1/50	0,71	3,9	18	10	3/4	3/8
						32	1685	2098	2582	3134	3754	4436	1811	1936	2076	2232	2405	2596																				
						38	1486	1854	2284	2776	3328	3936	2005	2140	2290	2457	2641	2842																				
						43	1318	1645	2028	2468	2962	3510	2214	2354	2510	2683	2873	3080																				
UP-SE2010GS-EAE00	5S3COS6C3FI	CP: 400V-3ph-50Hz Fan: 230V-1ph-50Hz	4,3	SE2010GS-O	303CO1201AA	25	1894	2358	2903	3527	4226	4995	1618	1725	1846	1981	2134	2304	-	-	1082	490	708	89	107	33	64	1	400	2673	120	230/1/50	0,71	3,9	18	10	3/4	3/8
						32	1687	2101	2586	3140	3761	4444	1770	1892	2028	2180	2349	2535																				
						38	1489	1858	2289	2782	3336	3947	1959	2090	2237	2399	2578	2775																				
						43	1321	1649	2034	2475	2971	3521	2162	2298	2451	2619	2804	3006																				
UP-SE2012GS-EAE00	5S3GOS6C3FI	CP: 400V-3ph-50Hz Fan: 230V-1ph-50Hz	5,4	SE2012GS-O	303GO1201AA	25	2529	3167	3925	4805	5808	6931	2120	2244	2380	2532	2699	2884	-	-	1277	538	1005	117	139	36	67	1	500	5195	220	230/1/50	1,34	6	22	12	7/8	1/2
						32	2276	2851	3533	4324	5225	6236	2289	2430	2586	2757	2944	3150																				
						38	2025	2542	3155	3867	4680	5593	2509	2660	2828	3012	3213	3431																				
						43	1807	2272	2825	3469	4206	5036	2747	2905	3080	3271	3479	3706																				
UP-SE2014GS-EAE00	5S3DOS6C3FI	CP: 400V-3ph-50Hz Fan: 230V-1ph-50Hz	5,2	SE2014GS-O	303DO1201AA	25	2931	3663	4532	5535	6673	7941	2252	2388	2539	2707	2894	3102	-	-	1277	538	1005	118	140	36	67	1	500	5195	220	230/1/50	1,34	6	22	12	7/8	1/2
						32	2631	3290	4069	4969	5989	7127	2439	2593	2765	2955	3164	3393																				
						38	2338	2930	3629	4437	5355	6381	2677	2844	3029	3232	3455	3699																				
						43	2085	2616	3246	3975	4806	5737	2935	3109	3301	3513	3744	3996																				
UP-SE2017GS-EAE00	5S3EOS6C3FI	CP: 400V-3ph-50Hz Fan: 230V-1ph-50Hz	6,3	SE2017GS-O	303EO1201AA	25	3438	4288	5290	6441	7737	9170	2574	2737	2920	3125	3355	3612	-	-	1277	538	1005	118	140	36	67	1	500	5195	220	230/1/50	1,34	6	22	12	7/8	1/2
						32	3076	3837	4732	5760	6917	8198	2800	2986	3194	3425	3680	3961																				
						38	2726	3407	4207	5127	6164	7315	3085	3286	3509	3756	4027	4325																				
						43	2426	3036	3753	4581	5516	6557	3391	3600	3832	4088	4369	4676																				
UP-SE2020GS-EAE00	5S3FOS6C3FI	CP: 400V-3ph-50Hz Fan: 230V-1ph-50Hz	6,9	SE2020GS-O	303FO1201AA	25	3973	4943	6079	7375	8822	10410	2985	3185	3411	3666	3953	4275	-	-	1277	538	1005	120	142	36	67	1	500	5195	220	230/1/50	1,34	6	22	12	7/8	1/2
						32	3540	4405	5414	6566	7852	9265	3265	3492	3748	4033	4350	4701																				
						38	3128	3897	4796	5822	6970	8234	3611	3856	4131	4435	4771	5140																				
						43	2777	3463	4266	5184	6216	7354	3981	4237																								

EXTERNAL VIEWS

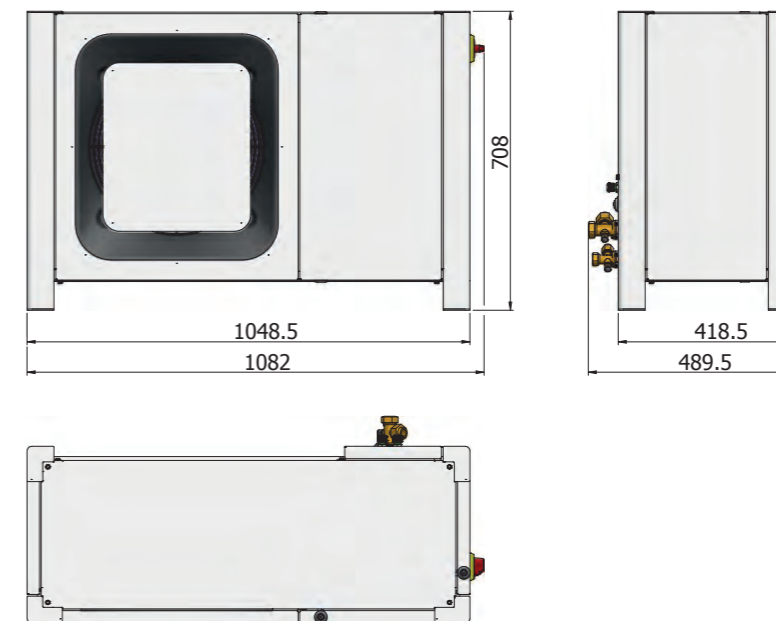
HOUSING 1 (mm)



HOUSING 3 (mm)



HOUSING 2 (mm)



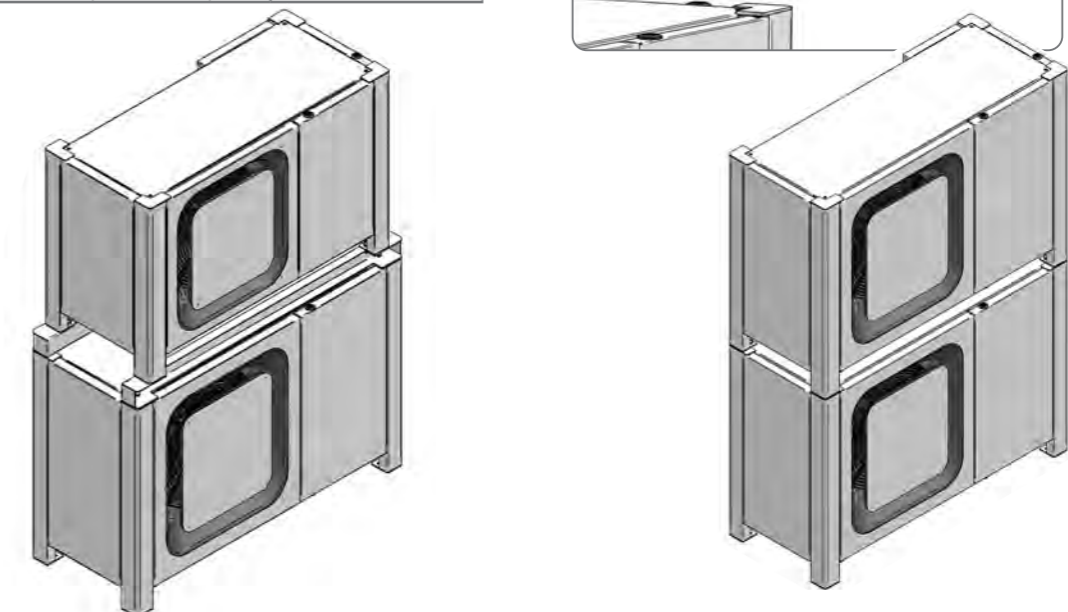
STACKABILITY OPTIONS

DIFFERENT HOUSING SIZES

Different housing sizes with complementary bracket

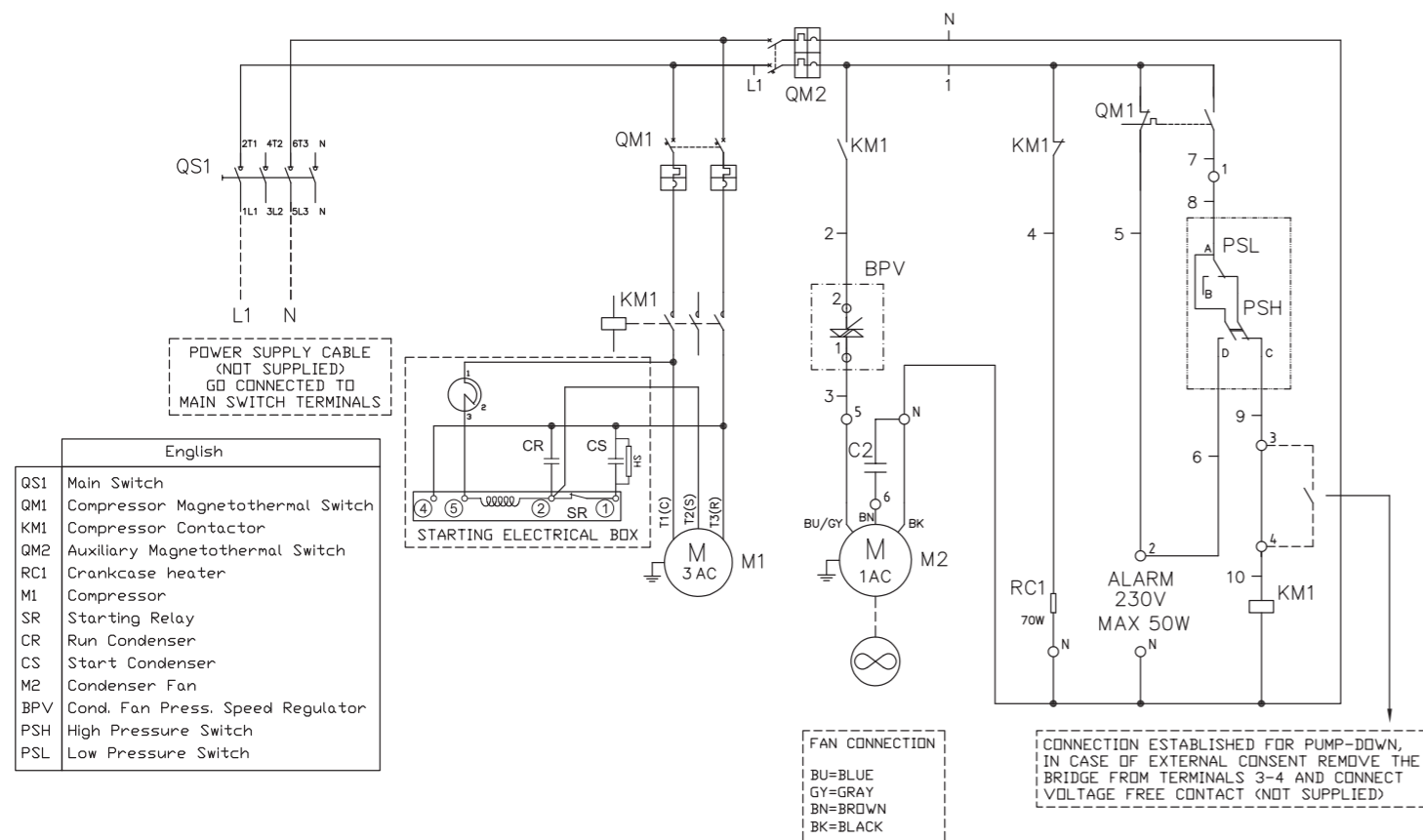
CONFIGURATIONS	ACCESSORY CODE
Housing 1 on Housing 2	1996761
Housing 1 on Housing 3	1996762
Housing 2 on Housing 3	

SAME HOUSING SIZE

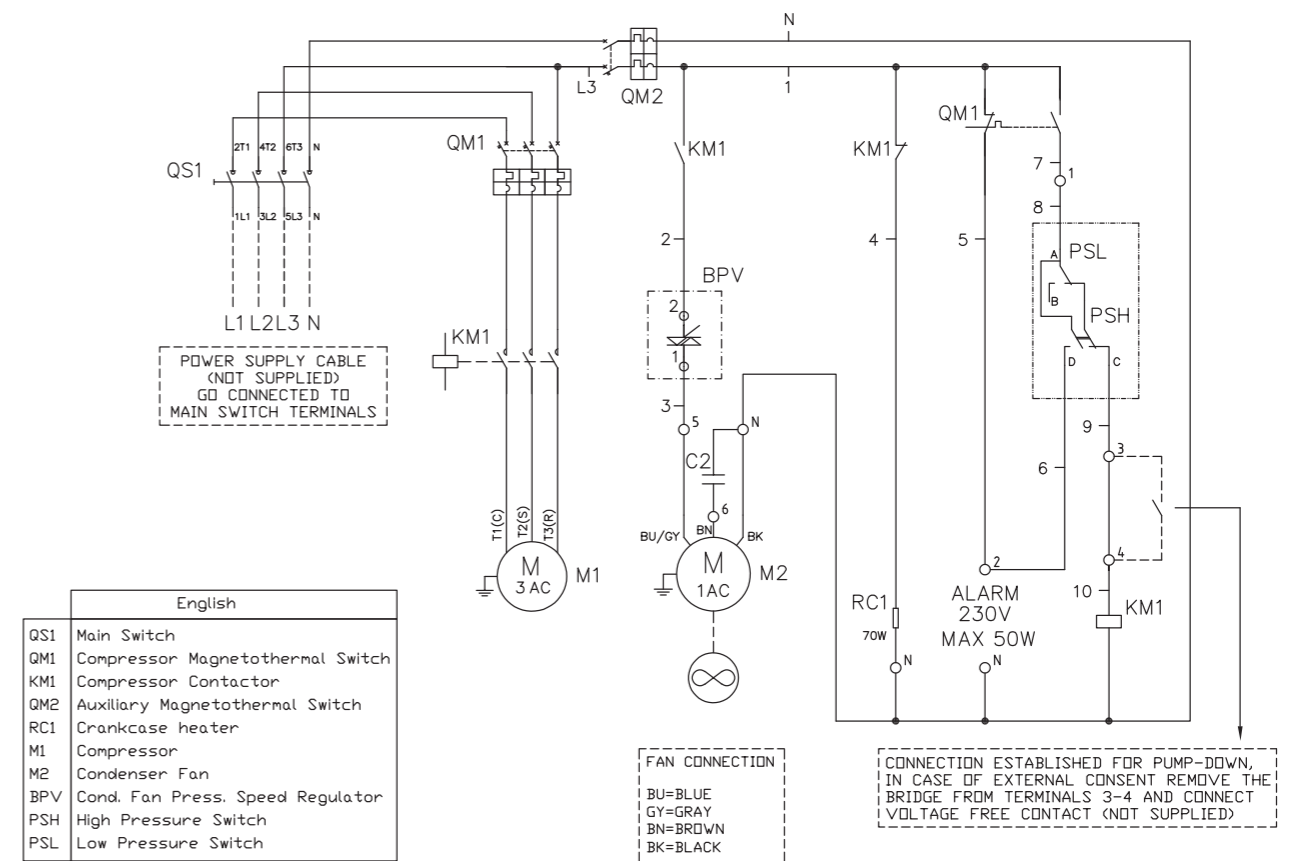


WIRING DIAGRAMS

Hermetic reciprocating compressors - 230v 1~ 50Hz

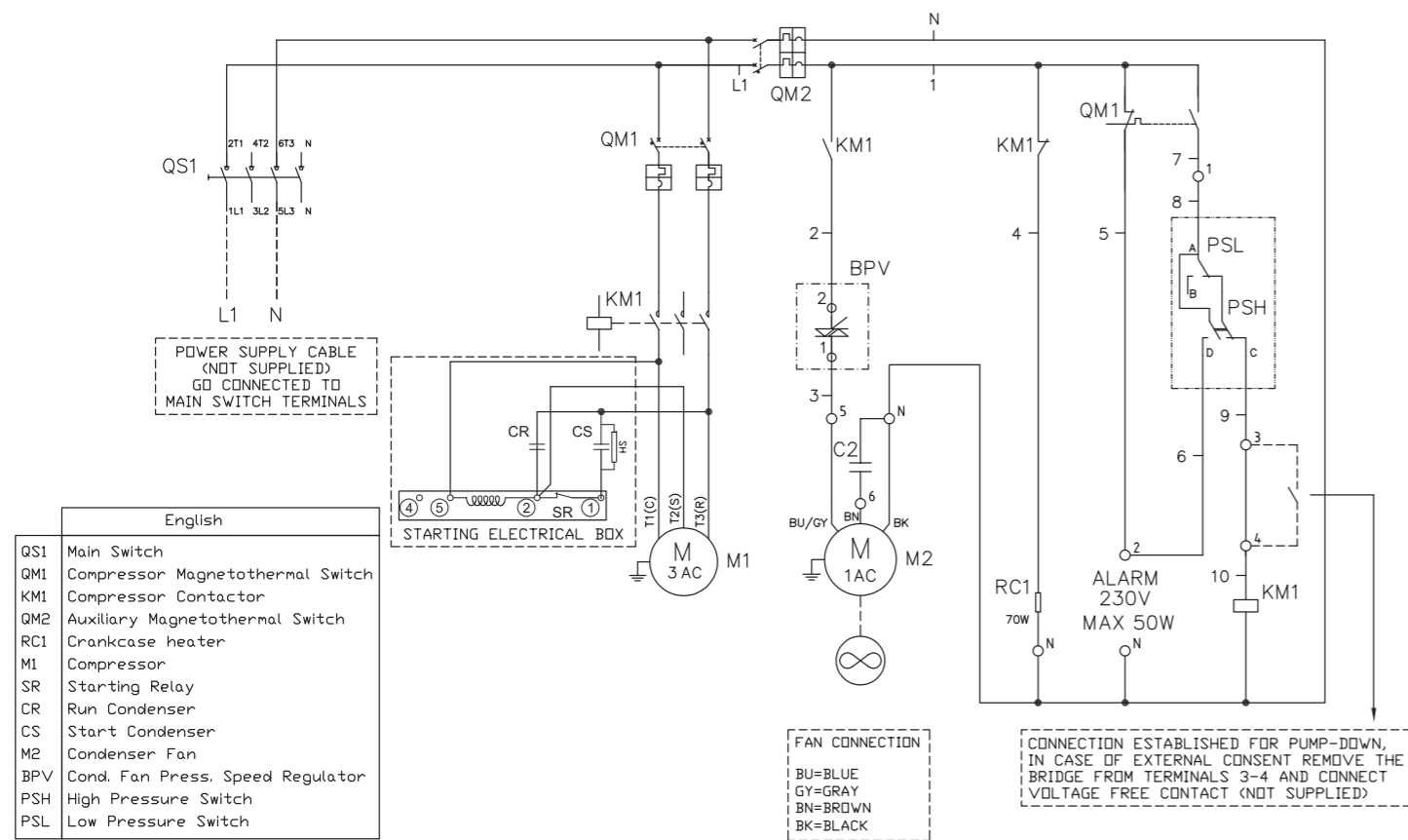


Hermetic reciprocating compressors - 400v 3~ 50Hz

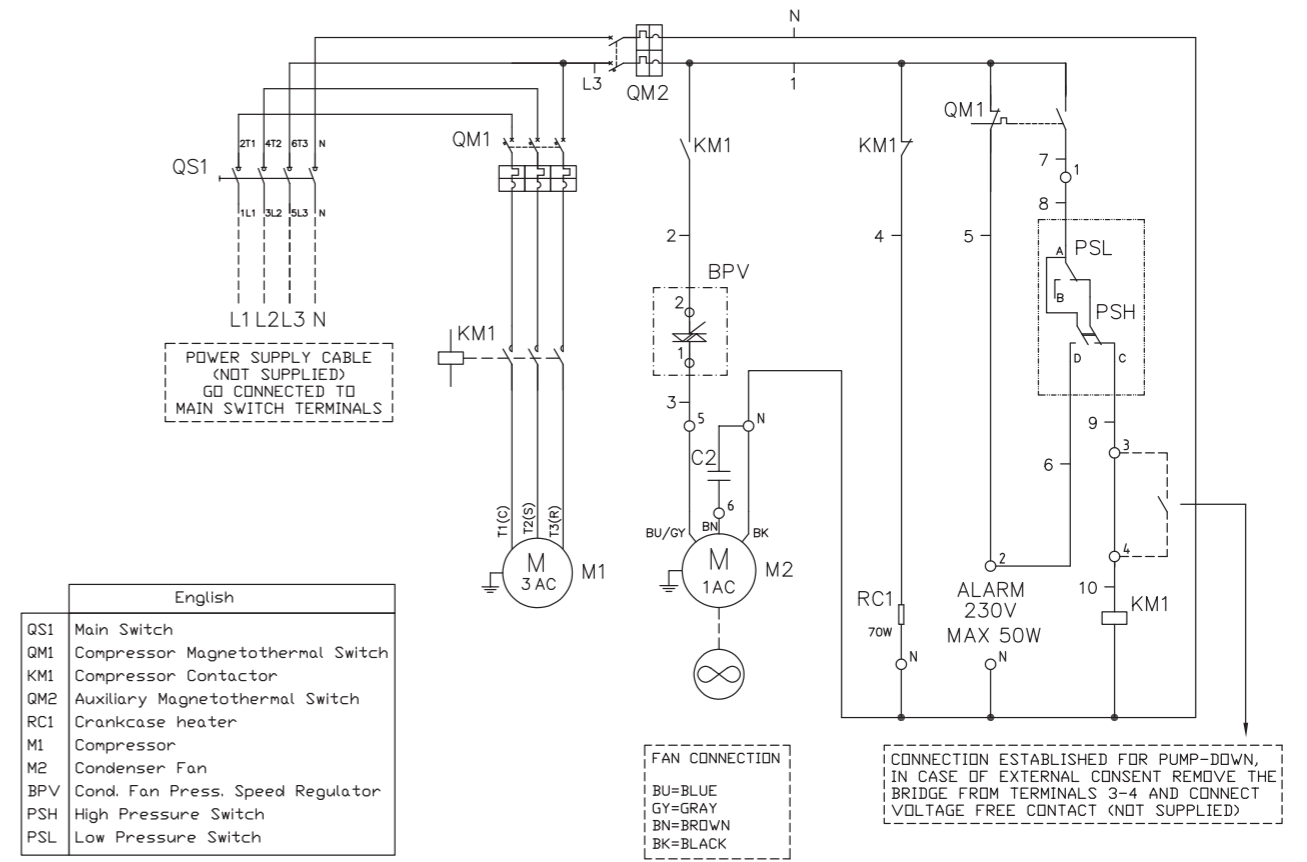


WIRING DIAGRAMS

Scroll compressors - 230v 1~ 50Hz



Scroll compressors - 400v 3~ 50Hz



EMBRACO DIGITAL TOOLS: discover everything our digital solutions can do for you.



embraco toolboxapp

EMBRACO TOOLBOX APP

Available in all countries and in more than 10 languages, the Embraco Toolbox App has 7 functionalities which help refrigeration professionals on their daily routine. Download the App now for Android or iOS systems.



Find inside:

- CROSS-REFERENCE
- PRODUCT CATALOGUE
- DISTRIBUTOR LOCATOR
- UNIT CONVERTER
- REFRIGERANT SLIDER
- REFRIGERATION CLUB
- TROUBLESHOOTING



REFRIGERATION CLUB

Exclusive content for refrigeration professionals in a global channel. Keep updated and join us at: www.refrigerationclub.com



PRODUCT SELECTOR SOFTWARE

Choose the best solution for your cooling system at Embraco's official portfolio platform. Access: products.embraco.com



embraco
Nidec

www.embraco.com